

Service Manual

Stereo Integrated Amplifier

Amplifier

SU-VX500



Color

(K) Black Type

Areas

Country Code	Area	Color
(E)	Continental Europe	(K)
(EB)	Great Britain	
(EG)	F.R. Germany and Italy	
(GC)	Asia, Latin America, Middle Near East and Africa	
(GN)	Oceania	

SPECIFICATIONS (DIN 45 500)

• MAIN AMP. SECTION (POWER AMP. DIRECT Input)

20 Hz - 20 kHz continuous power output	
both channels driven	2 x 50 W (8 Ω)
1 kHz continuous power output	
both channels driven (THD: 1%)	2x65 W (8 Ω) 2x90 W (4 Ω)
63 Hz ~ 12.5 kHz continuous power output	
both channels driven (THD: 0.7%)	2 x 60 W (8 Ω) 2 x 80 W (4 Ω)
Total harmonic distortion (Power Amp Direct Input)	
rated power at 20 Hz-20 kHz	0.007% (8 Ω)
half power at 20 Hz-20 kHz	0.005% (8 Ω)
Intermodulation distortion (SO Hz: 7 kHz = 4:1, SMPTE)	
rated power	0.007 % (8 Ω)
Residual hum and noise	0.2 mV
Damping factor	60 (8 Ω), 30 (4 Ω)
Headphones output level and Impedance	540 mV/330 Ω
Load Impedance	
A or B, BI-WIRING	4Ω-16Ω
A and B	8Ω-16Ω

PREAMP. SECTION

Input sensitivity and impedance	
PHONO MM	2.5 mV/47 kΩ
PHONO MC	170 μV/220 Ω
TUNER, CD, AUX, TAPE 1, TAPE 2/DAT	150 mV/22 kΩ
POWER AMP DIRECT	1 V/18 kΩ
Phono maximum input voltage (1 kHz, RMS)	
MM	160 mV, IMF' 66
MC	12 mV, IMF' 66

S/N (rated power, 4 Ω)	
PHONO MM	78 dB (85 dB, IMF' 66)
PHONO MC	66 dB (S = 250 μV, 67 dB, IHF' 66)

POWER AMP DIRECT	97 dB (99 dB, IHF' 66)
S/N at ~26 dB power (4 Ω)	106 dB (115 dB, IHF' 66)
PHONO MM	76 dB
PHONO MC	66 dB
TUNER, CD, AUX, TAPE 1, TAPE 2/DAT	84 dB
S/N at 50 mW power (4 Ω)	
PHONO MM	75 dB
PHONO MC	66 dB
TUNER, CD, AUX, TAPE 1, TAPE 2/DAT	78 dB

Frequency response	RIAA standard curve
PHONO MM	±0.8 dB (30 Hz-15 kHz)
TUNER, CD, AUX, TAPE 1, TAPE 2/DAT	
3Hz-100kHz (+0, -3dB)	
+0dB, -0.2dB (20Hz-20kHz)	
POWER AMP DIRECT	2 Hz-120 kHz (+0, -3 dB)
+0 dB, -0.2 dB (20 Hz-20 kHz)	
Tone controls	
BASS	50Hz, +10 dB, -10dB
TREBLE	20kHz +10 dB, -10 dB
Loudness control (volume at -30 dB)	50 Hz, +9 dB
Output voltage	
TAPE 1, TAPE 2/DAT REC OUT	150 mV

Technics

SU-VX500

<ul style="list-style-type: none"> • GENERAL 		Dimension (W x H x D)	430x 125x316 mm (16-15/16" x4-15/16" x 12-7/16")
Power consumption	530 W	Weight	8,1 kg (17,82 lb)
Power supply		Notes:	
<ul style="list-style-type: none"> • for Great Britain and Oceania • F.R. Germany, Italy and Continental Europe: 	AC 50/60 Hz, 230/240 V	1. Specifications are subject to change without notice.	
for Others:	AC 50/60 Hz, 110 V/127 V/220 V/240 V	Weight and dimensions are approximate.	
		2. Total harmonic distortion is measured by the digital spectrum analyzer.	

• CONTENTS

	Page		Page
BEFORE REPAIR AND ADJUSTMENT	2	PRINTED CIRCUIT BOARDS	15-18
PROTECTION CIRCUITRY	2	WIRING CONNECTION DIAGRAM	19
ACCESSORY	2	BLOCK DIAGRAM	20
LOCATION OF CONTROLS	3	MEASUREMENTS AND ADJUSTMENTS	21
CONNECTIONS	4-6	REPLACEMENT PARTS LIST	22-24,27
DISASSEMBLY INSTRUCTIONS	7-10	CABINET PARTS LOCATION	25, 25
SCHEMATIC DIAGRAM	11-14	PACKAGING	28

I BEFORE REPAIR AND ADJUSTMENT

- (1) Turn off the power supply. Using a 10M 10 W resistor, shortcircuit both ends of power supply capacitors C001, C002, C705 and C706 in order to discharge the voltage.
- (2) Before turning on the power switch of the unit.
- Connect the voltage controller to the primary side.
 - Connect the AC ampere meter to the primary side or conned the DC voltage meter to the "aB" circuit of the secondary side.
 - Turn the VR of ICQ (VR451, VR452, VR501 and VH502) to minimum (counterclockwise).
 - Alter setting the output to zero of the voltage controller, turn on the power switch of the unit. And increase the output of voltage controller gradually. Then, check carefully whether the current value of primary side become more than following value or whether the DC voltage of secondary side is increasing slowly.
 - If the value of current is increasing unusually or the DC voltage is not increasing, lower the output level of voltage controller Immediately.
- The current value of the primary side at no signal. (Confirm the power supply voltage of each area and provided voltage of the unit.)

Power supply voltage		AC110V	AC120V	AC220V	AC230V	AC240V
Consumed current	50 Hz	250-540 mA	210-500 mA	90-370 mA	80-360 mA	70-350 mA

I PROTECTION CIRCUITRY

The protection circuitry of the amplifier may have operated if either of the following conditions is noticed:

- No sound is heard when the power is turned on.
- Sound stops during a performance.

The function of this circuitry is to prevent circuitry damage if, for example, the positive and negative speaker connection wires are "shorted", or if speaker systems with an impedance less than the indicated rated Impedance of the amplifier are used.

If this occurs, follow the procedure outlined below:

- Turn off the power.
- Determine the cause of the problem and correct it.
- Turn on the power once again.

Note:

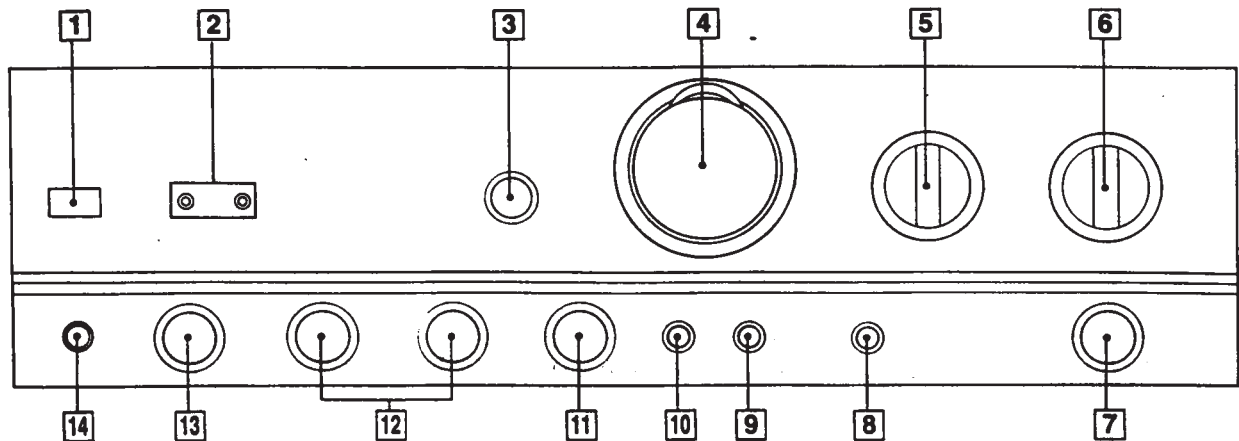
When the protection circuitry functions, the unit will not operate unless the power is first turned off and then on again.

I ACCESSORY



- AC power supply cords
- <SFDAC02E03> For (E), (EG) areas.
- <SJA193> For (EB) area only.
- <RJA0004> For (GC) area only.
- <SJA173> For (GN) area only.

■ LOCATION OF CONTROLS



1 Power switch (POWER)

2 Operation indicators (AMPLIFIER OPERATION MONITOR)

These indicators illuminate to indicate the operating condition of this unit.

VOLTAGE CONTROL:

When the power is switched ON, this indicator illuminates when the unit is in the operation condition.

CURRENT DRIVE:

When the power is switched ON, this indicator illuminates after about 4 seconds when the unit is in the operation condition.

If an abnormal condition in the circuitry is detected, such as DC voltage appearing in the output, or a short-circuit of the positive (+) and negative (-) wires from the speaker terminals, the protection circuit functions and this indicator does not illuminate.

3 Power amplifier direct switch (POWER AMP DIRECT)

This switch is used to listen to the sound from a component connected to the "POWER AMP DIRECT" terminals.

When this switch is pressed inward to the "ON" position, a superior level of tone quality can be obtained, because the signals from the component connected to the "POWER AMP DIRECT" terminals are sent directly to the volume control and power amp section of this unit. The mode selector, loudness switch, balance control and tone control circuit are bypassed.

4 Volume control/Indicator (VOLUME)

There are two types of volume scale indications: one for when or the power amplifier direct switch is OFF, and one for when it is ON (Indicator will illuminate.).

5 Recording output selector (REC SELECTOR)

This selector is used to select the sound source to be recorded by the connected tape deck 1 and/or tape deck 2 (or DAT).

6 Input selector (INPUT SELECTOR)

This selector is used to select the sound source to be heard, such as a disc, radio broadcast, etc.

7 Phono cartridge selector (PHONO SELECTOR)

This selector should be set to the position which corresponds to the type of cartridge used on the turntable.

8 Mode selector (MODE)

This selector is used to select stereo or monaural operation.

9 Loudness switch (LOUDNESS)

This switch is used when listening to music at a low volume level. Auditory perception of sound in the low frequency range falls off at low volume, but when the switch is set to the "ON" position, this deficiency is compensated for, so that the full impact of the musical performance can be enjoyed.

10 Tone control switch (TONE CONTROL)

This switch is used to set the tone control circuit (bass, treble) on or defeat (off).

11 Balance control (BALANCE)

This control is used to adjust the left/right volume balance.

12 Tone controls (BASS/TREBLE)

The bass control is used to adjust the low-frequency sound range, and the treble control is used to adjust the high-frequency sound range.

13 Speaker selector (SPEAKERS)

This selector is used to select the speaker systems to be used.

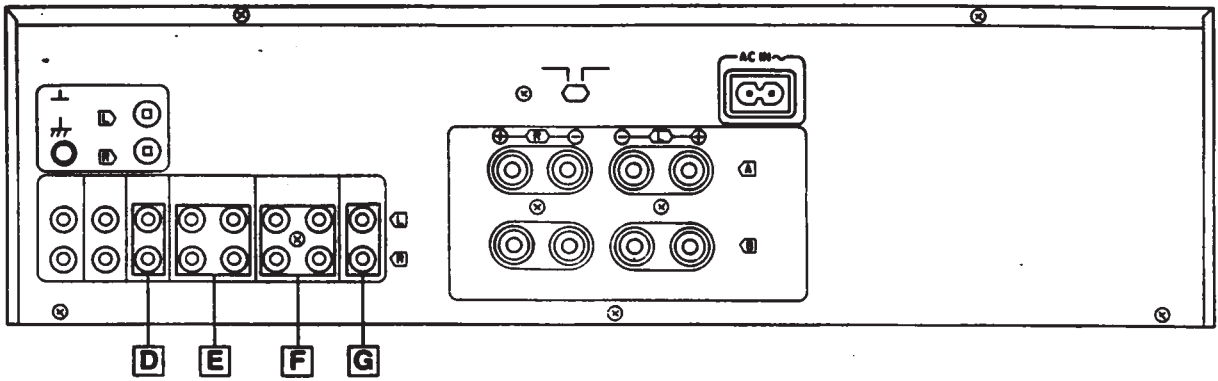
OFF: No sound will be heard from the speaker systems.

A: Sound can be heard from the speaker systems connected to the "A" terminals.

B: Sound can be heard from the speaker systems connected to the "B" terminals.

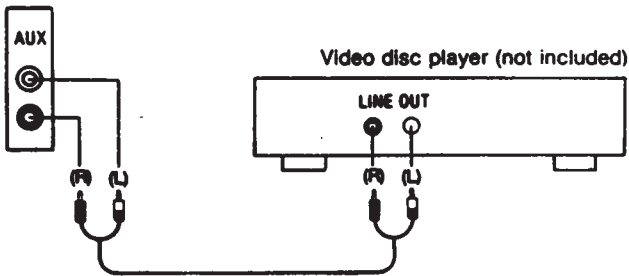
A+B/BI-WIRING: Sound can be heard simultaneously from the speaker systems connected to the "A" terminals and the "B" terminals. Or, if bi-wired speaker systems are connected, sound can be heard from them.

14 Headphones jack (PHONES)



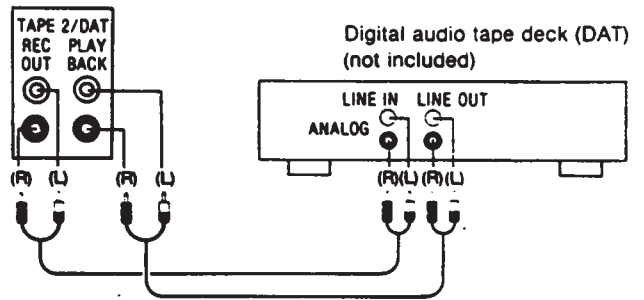
D "AUX" terminals

Connect a component such as a video disc player (audio only connectable), etc.



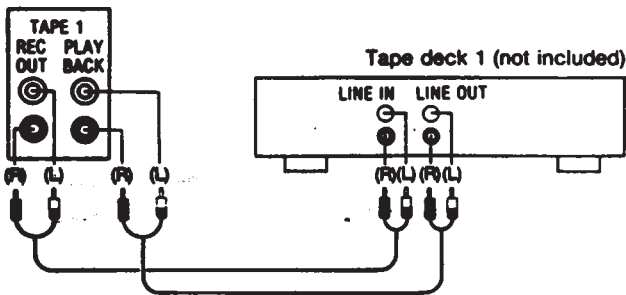
F "TAPE 2/DAT" terminals

Connect a second tape deck or a digital audio tape deck (DAT).



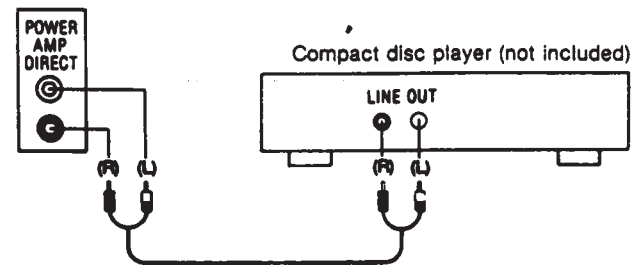
E "TAPE 1" terminals

Connect a first tape deck.



G "POWER AMP DIRECT" terminals

Connect a compact disc player. A superior level of tone quality can be obtained, because the signal from these terminals are sent directly to the volume control and power amp section of this unit. The sounds from a component connected to these terminals cannot be recorded.



To connect the AC power supply cord (included)

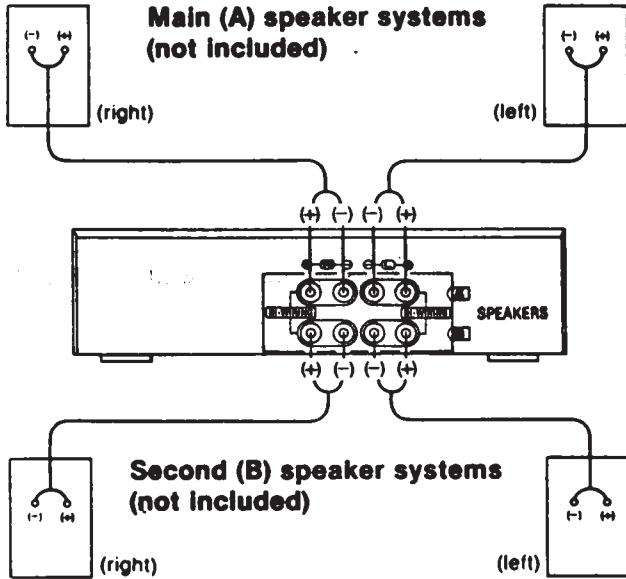
Connect the AC power supply cord (included) after all other cables and cords are connected.



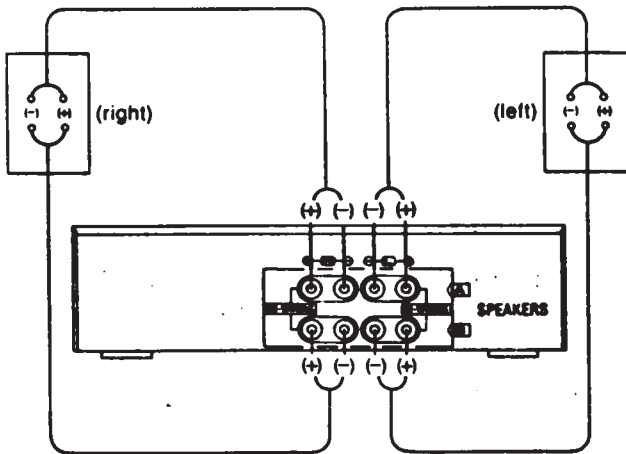
- 1
- 2
- 3
- 4
- 5
- 6
- 7

Connection to speaker systems

To connect main and/or second speaker systems



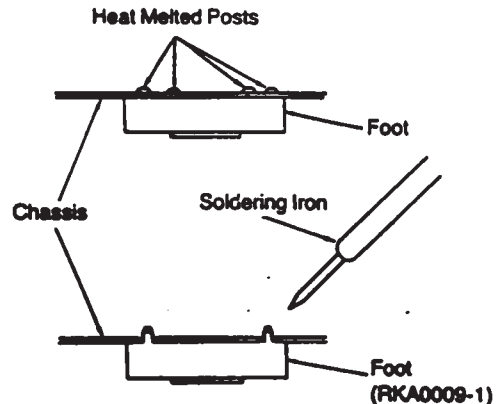
To connect bi-wired speaker systems



Note: Connect only bi-wired speaker systems in this way.

• Replacement of the Foot.

1. Remove the 4 heat melted posts on the chassis with a pair of nippers or similar tool.
2. To replace the foot (RKA0009-1) on the chassis, melt the 4 posts with a soldering iron.



One pair of speaker systems can be connected to the "A" terminals of this unit and one pair to the "B" terminals, or only one pair of bi-wired speaker systems can be connected to all terminals.

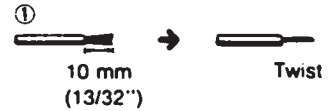
Make connections to each speaker system by using speaker cords (not included).

■ Load Impedance

- When only the "A" or only the "B" terminals are used: 4-16 ohms
- When both the "A" and the "B" terminals are used simultaneously: 8-16 ohms
- When bi-wired speaker systems are used: 4-16 ohms

■ To connect cords to terminals

- ① Strip off the outer covering, and twist the center conductor.



- ② Turn completely to the left.

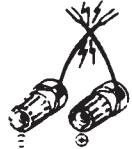


- ③ Insert the wire and turn completely to the right. Pull the cord to assure a proper connection.

Note: Be sure to only connect positive (+) cords to positive (+) terminals, and negative (-) cords to negative (-) terminals.

Note:

To prevent damage to circuitry, never short-circuit the plus (+) and minus (-) speaker wires.



■ Bi-wiring

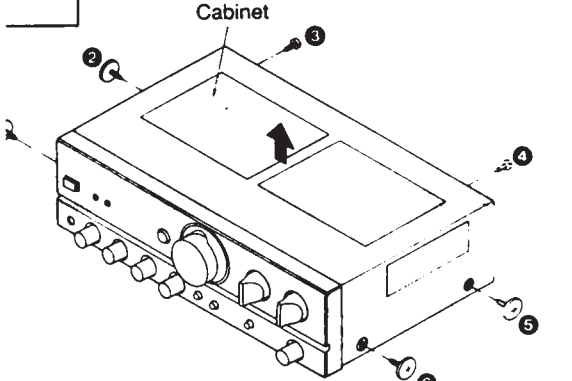
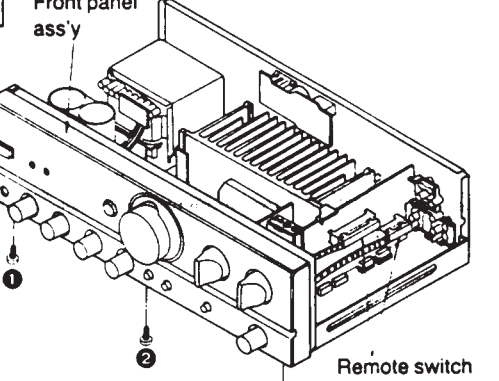
The treble range and the bass range of the speaker systems are connected to the speaker terminals of the amplifier by using two speaker connection wires separately for each.

As a result of making connections in this way, sound can be reproduced with much greater nuance and detail, with the feelings of air oscillation and deepness of sound provided by an input source that suppresses reciprocal band-range interference. (Refer to the operating instructions of the speaker system.)

ASSEMBLY INSTRUCTIONS

CAUTION SERVICER"

Some components may have sharp edges. Be careful when disassembling and servicing.

Ref. No. 2	Removal of the cabinet	Ref. No. 2	Removal of the front panel ass'y
Procedure 1→2	 <p>Remove the 6 screws (1~6).</p>	 <p>1. Remove the remote switch controller. 2. Remove the 3 screws (1~3).</p>	

Removal of the remote switch controller

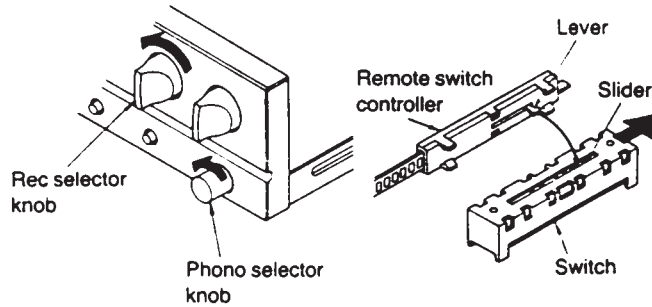
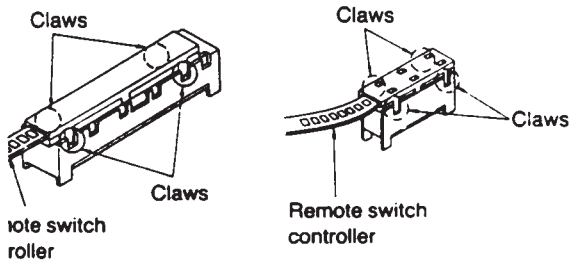
Remove the 4 claws.

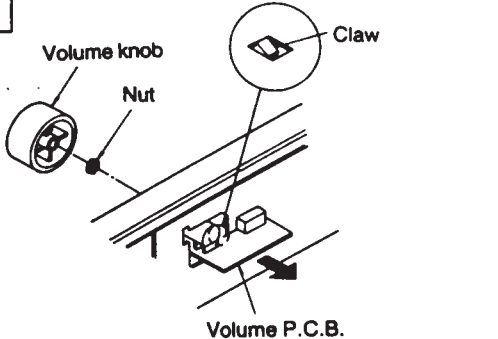
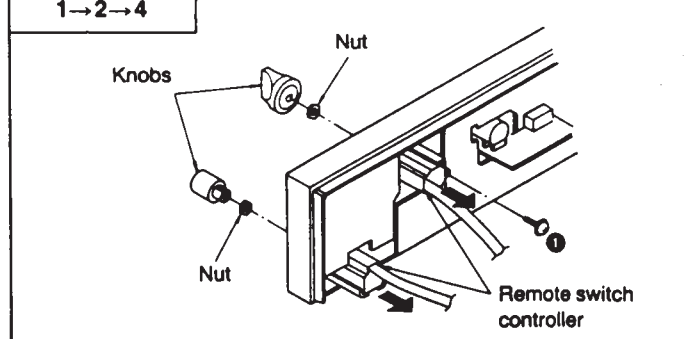
102 (REC SELECTOR)

S103 (PHONO SELECTOR)

■ Replacing of the remote switch controller

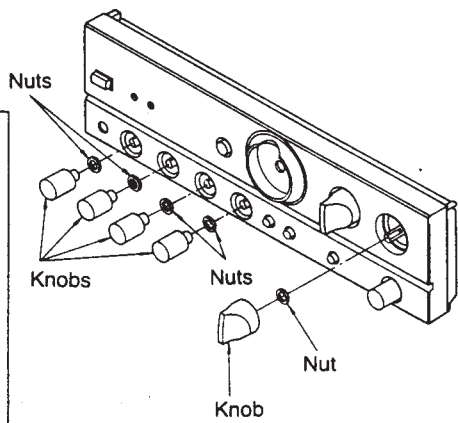
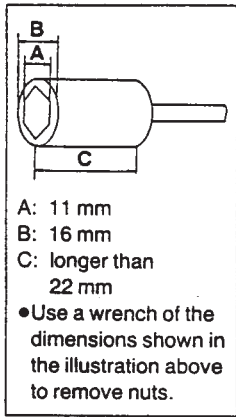
1. Turn the selector knobs to the arrows.
2. Put the switch slider of switch to end and put in the remote switch controller.



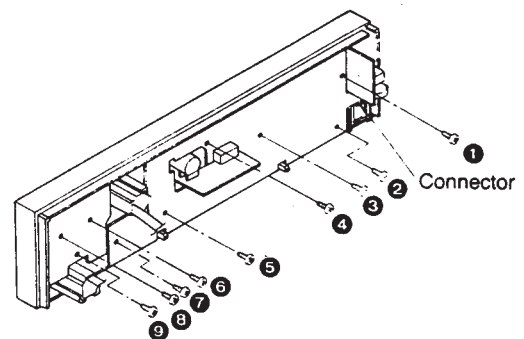
Ref. No. 3	Removal of the volume P.C.B.	Ref. No. 4	Removal of the remote switch controller
Procedure 2→3	 <p>1. Turn the volume knob. 2. Remove the nut. 3. Remove the 1 claw. 4. Remove the volume P.C.B. in the direction of arrow.</p>	 <p>1. Pull out the 2 knobs. 2. Remove the 2 nuts. 3. Remove the 1 screw (1). 4. Remove the remote switch controller in the direction of arrow.</p>	

Ref. No. 5 **Removal of the operation P.C.B. and input selector P.C.B.**

Procedure
1→2→3→5



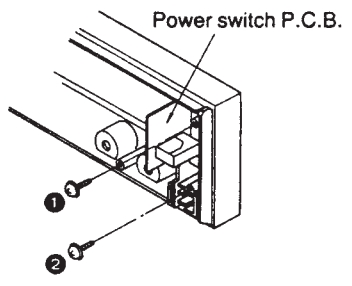
1. Pull out the 5 knobs.
2. Remove the 5 nut.



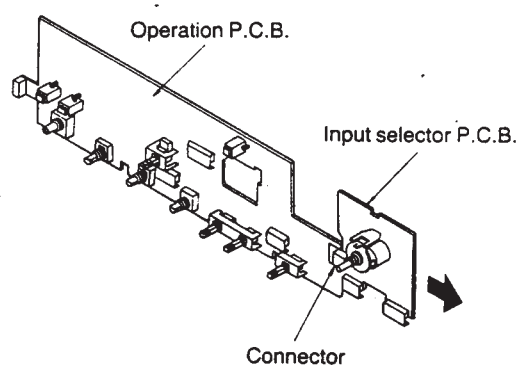
3. Remove the 9 screws (①~⑨).
4. Remove the 1 connector (CP501).

Ref. No. 6 **Removal of the power switch P.C.B**

Procedure
1→2→3→5→6



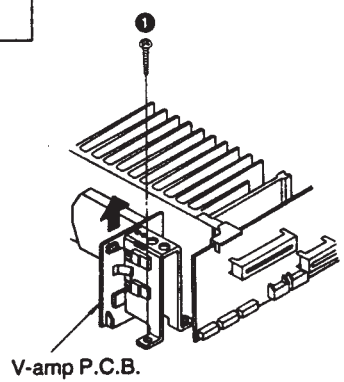
- Remove the 2 screws (①, ②)



5. Remove the input selector P.C.B. in the direction of arrow.

Ref. No. 7 **Removal of the V-amp P.C.B.**

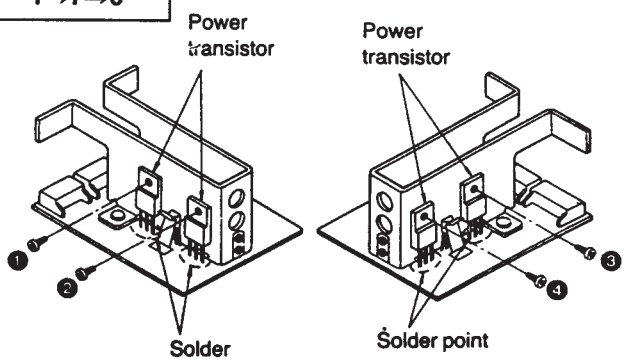
Procedure
1→7



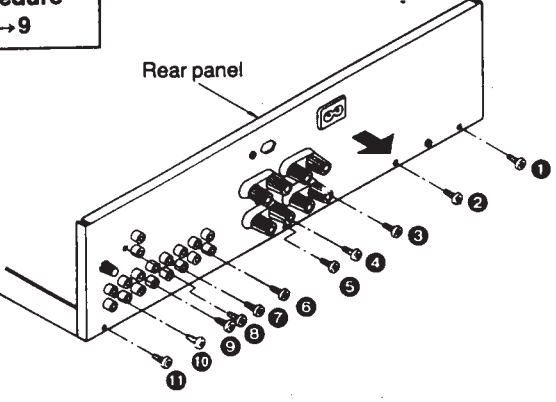
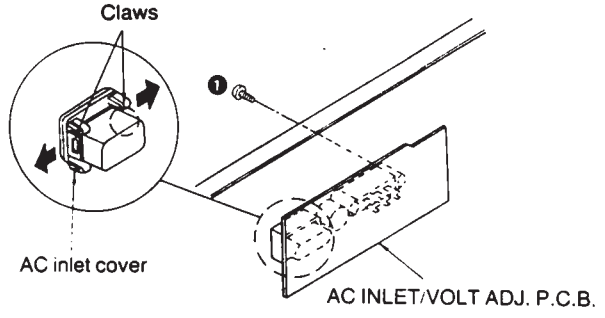
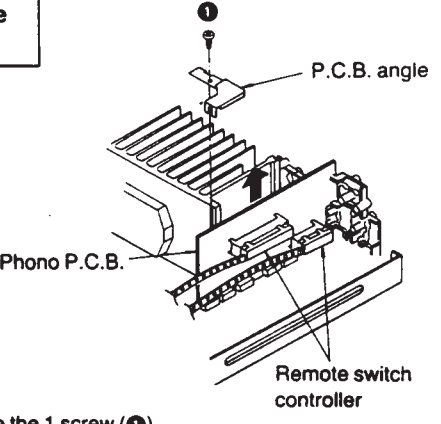
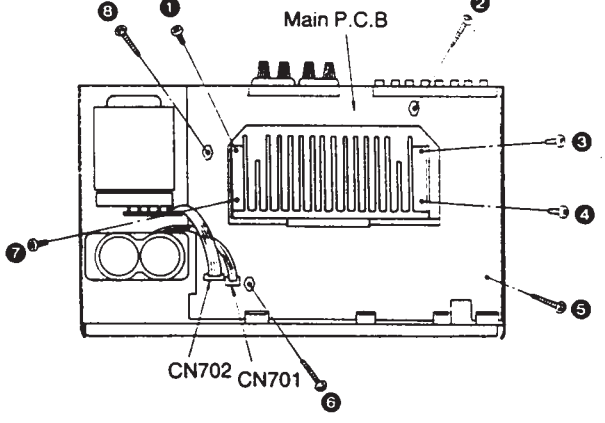
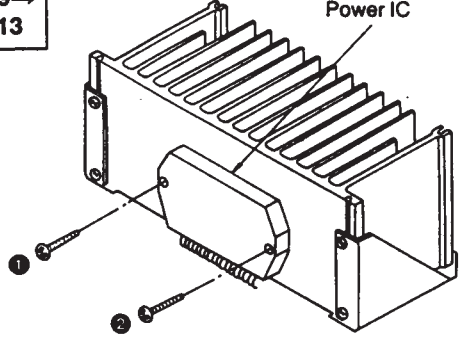
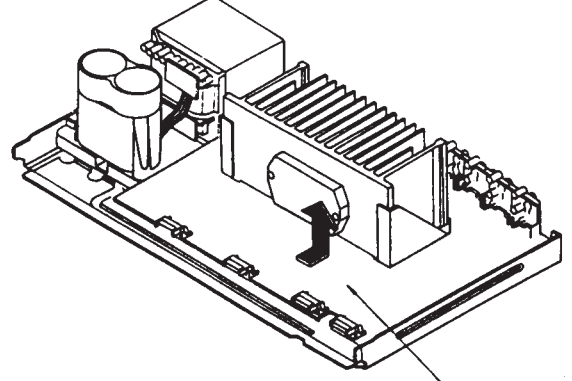
1. Remove the 1 screw (①).
2. Remove the V-amp P.C.B. in the direction of arrow.

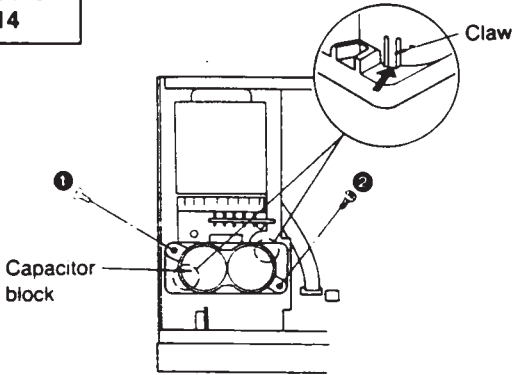
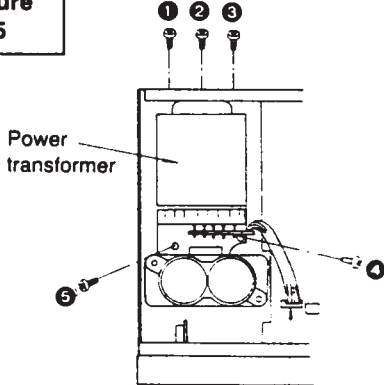
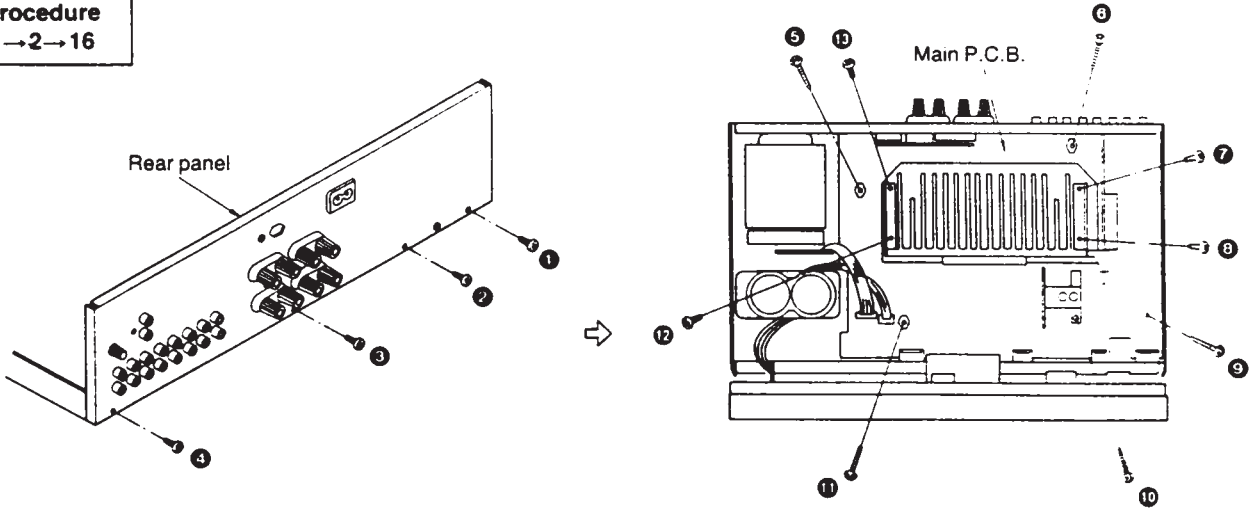
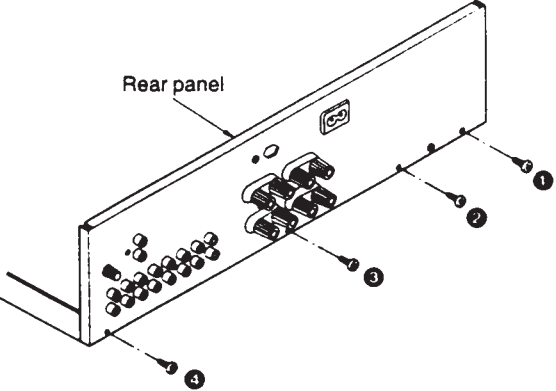
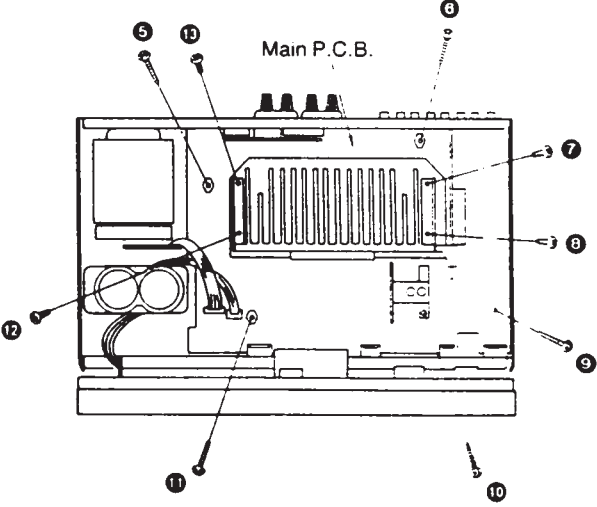
Ref. No. 8 **Removal of the power transistor**

Procedure
1→7→8

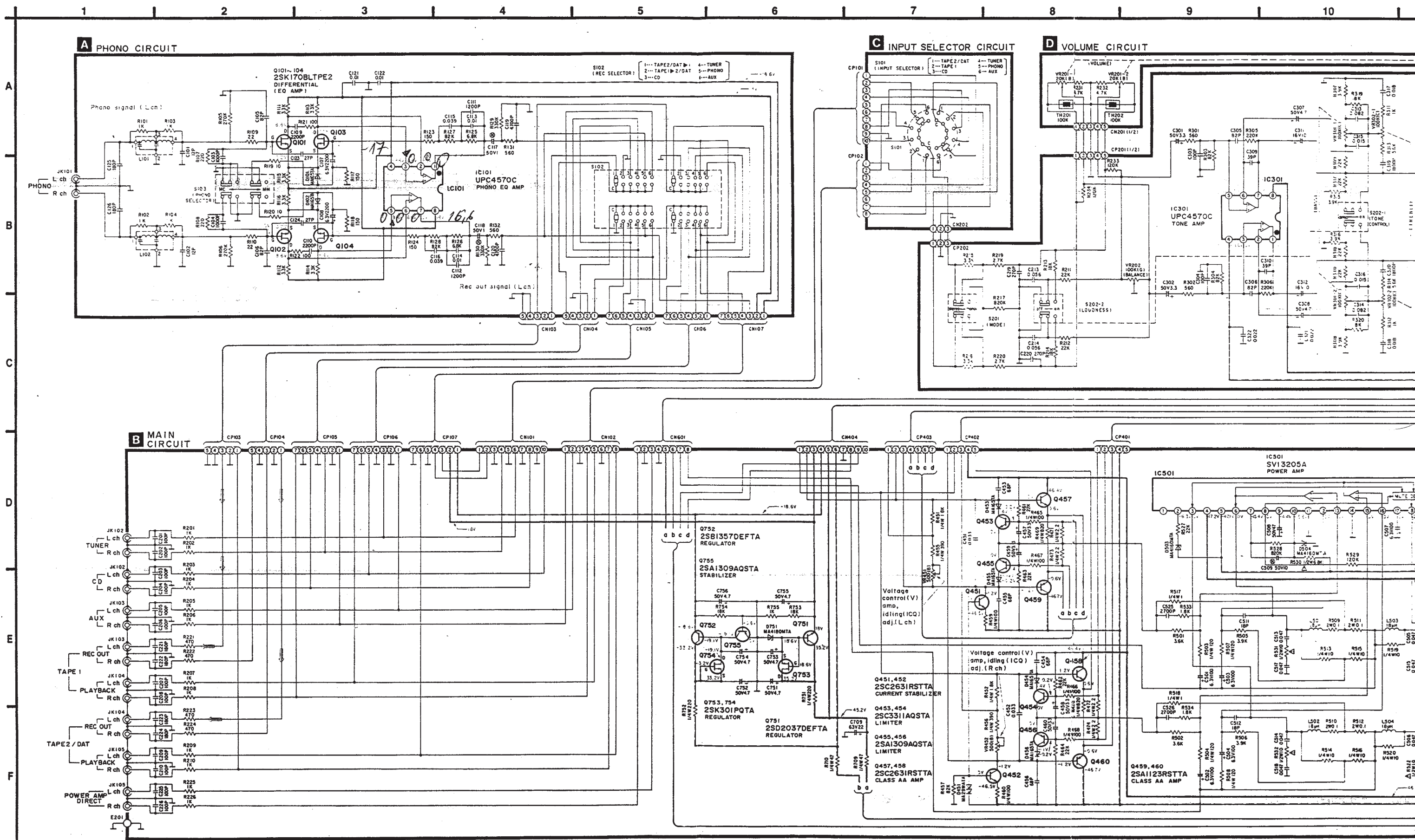


1. Unsolder the power transistor.
 2. Remove the 4 screws (①~④).
- When mounting power transistor, apply silicon thermal compound (RFKX0002) to the rear of the power transistor.

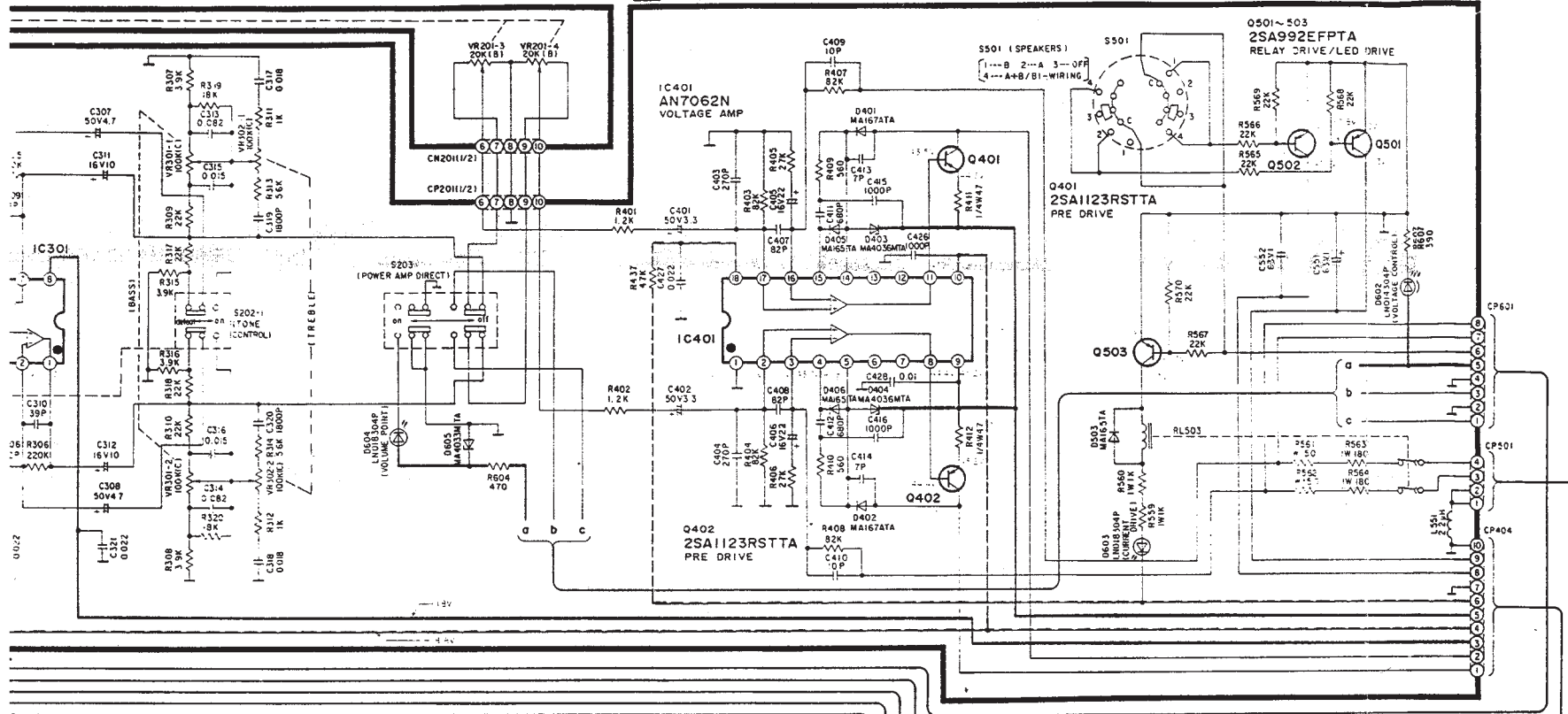
Ref. No. 9	Removal of the rear panel	Ref. No. 10	Removal of the AC INLET/VOLT ADJ. P.C.B.
Procedure 1→9		Procedure 1→9→10	
	<ol style="list-style-type: none"> 1. Remove the 11 screws (①~⑪). 2. Remove the rear panel in the direction of arrow. 		<ol style="list-style-type: none"> 1. Remove the 1 screw (①). 2. Release the 2 claws of AC inlet cover.
Ref. No. 11	Removal of the phono P.C.B.	Ref. No. 12	Removal of the main P.C.B.
Procedure 1→9→11		Procedure 1→2→7→9→11→12	
	<ol style="list-style-type: none"> 1. Remove the 1 screw (①). 2. Remove the P.C.B. angle. 3. Remove the remote switch controller. 4. Remove the phono P.C.B. in the direction of arrow. 		<ol style="list-style-type: none"> 1. Remove the 1 connector (CN701). 2. Remove the 1 flat cable (CN702). 3. Remove the 8 screws (①~⑧).
Ref. No. 13	Removal of the power IC		
Procedure 1→2→7→9→11→12→13			
	<ol style="list-style-type: none"> 1. Unsolder the power IC. 2. Remove the 2 screws (①, ②). <p>●When mounting the power IC and heat sink, apply silicon thermal compound (RFKX0002 or equivalent) to the rear of the power IC.</p>		<ol style="list-style-type: none"> 4. Remove the main P.C.B. in the direction of arrow.

Ref. No. 14	Removal of the capacitor block	Ref. No. 15	Removal of the power transformer
Procedure 1→14	 <p>1. Remove the 1 connector (CN701).</p> <p>2. Remove the 2 screws (①, ②).</p> <p>3. Release the 2 claws.</p>	Procedure 1→15	 <p>1. Remove the 1 flat cable (CN702).</p> <p>2. Remove the 5 screws (①~⑤).</p>
Ref. No. 16	Check of the main P.C.B.		
Procedure 1→2→16			
<p>1. Remove the 4 screws (①~④).</p> <p>3. Remove the bottom chassis.</p> <p>4. Reinstall the front panel ass'y to the main P.C.B. and place the unit as shown right.</p> <p>5. Reinstall the remote switch controller to the switch.</p>	 		

SCHEMATIC DIAGRAM (Parts list on pages 22-24).



E OPERATION CIRCUIT



(This schematic diagram may be modified at any time with the development of new technology)

Notes:

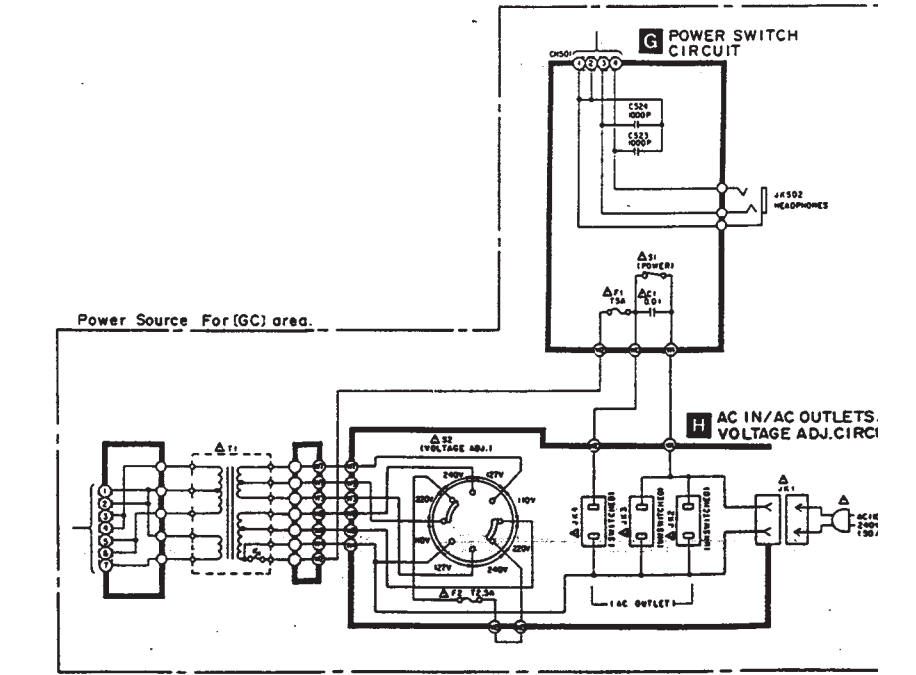
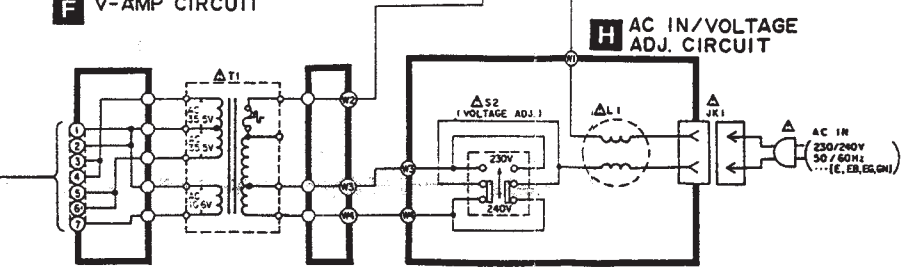
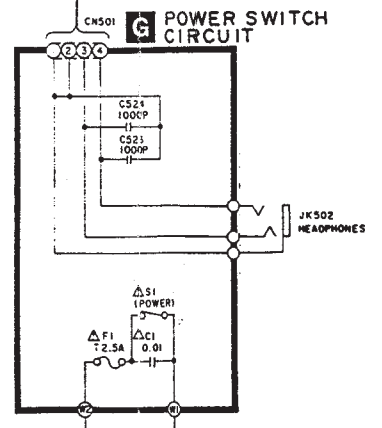
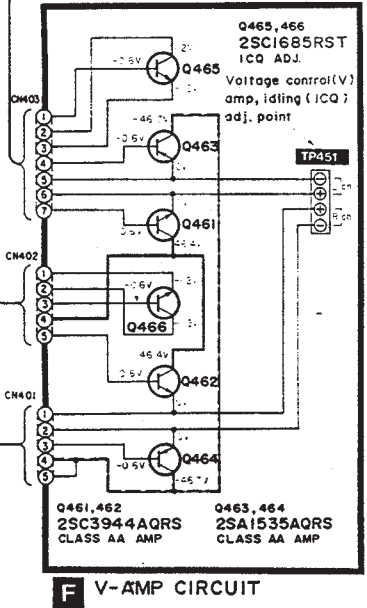
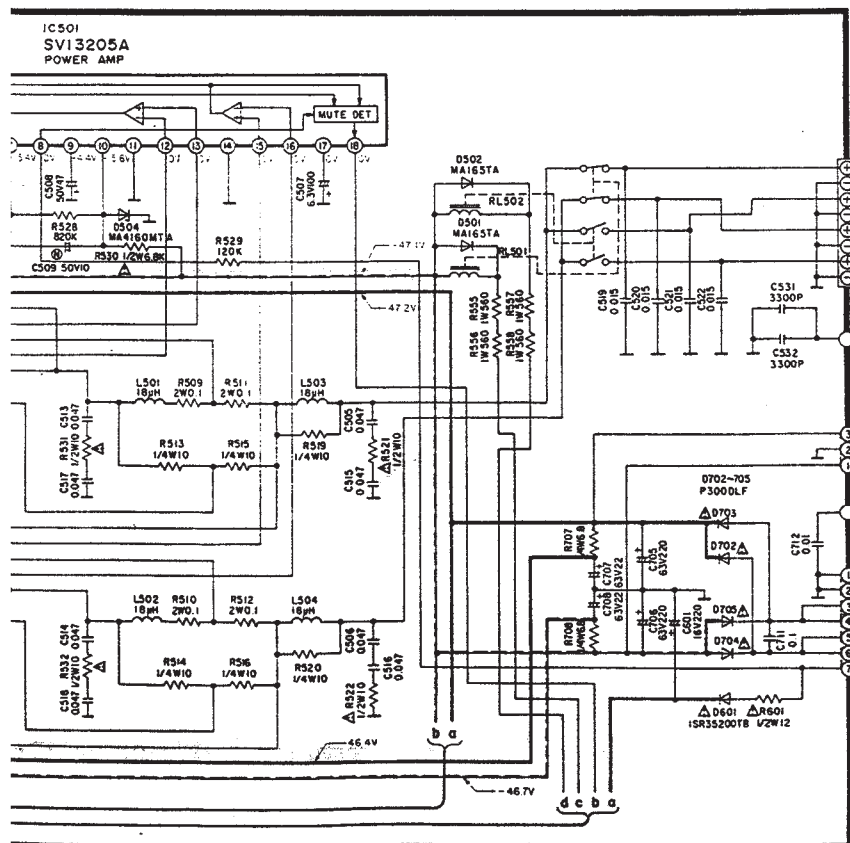
- S1 : Power (POWER) switch in "ON" position.
- S2 : Voltage select (VOLTAGE SELECTOR) switch in "240 V" position.... (E), (EE)
Voltage select (VOLTAGE SELECTOR) switch in "220 V" position.... (GC)
- S101 : Input select (INPUT SELECTOR) switch in "PHONO" position.
- S102 : Recording output select (REC SELECTOR) switch in "TAPE2/DAT ▶ 1" position.
- S103 : Phono select (PHONO SELECTOR) switch in "MC" position.
- S201 : Mode select (MODE) switch in "STEREO" position.
- S202 : S202-1; Tone control (TONE CONTROL) switch in "DEFEAT" position.
(off...DEFEAT, on...ON)
S202-2; Loudness (LOUDNESS) switch in "OFF" position.
- S203 : Power amplifier direct (POWER AMP DIRECT) switch in "OFF" position.
- S501 : Speaker select (SPEAKERS) switch in "OFF" position.

- : Positive voltage line.
- - - : Negative voltage line.
- ▨ : Phono signal line. (Lch)
- : Recording output signal line. (Lch)

•Indicated voltage values are the standard values for the unit measured by the DC electronic tester (high-impedance) with the chassis taken as standard. Therefore, there may exist some the voltage values, depending on the internal impedance of the DC circuit tester.

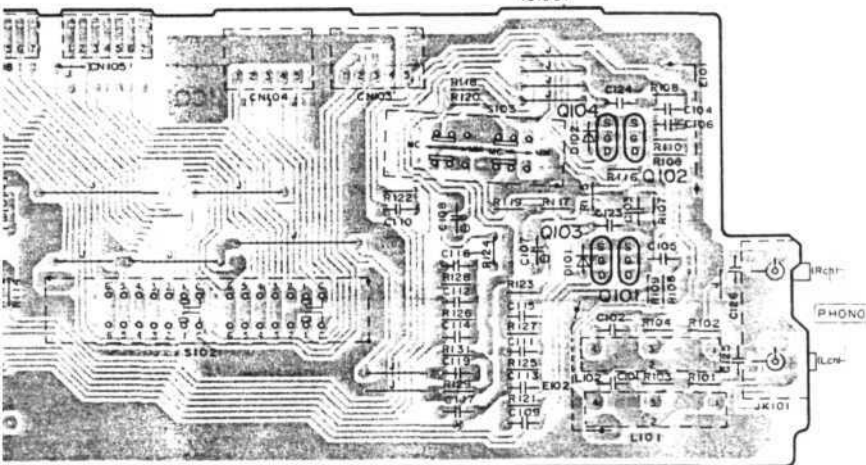
•Important safety notice:
Components identified by Δ mark have special characteristics important for safety. When repairing any of these components, use only manufacturer's specified parts.

•Caution!
IC and LSI are sensitive to static electricity.
Secondary trouble can be prevented by taking care during repair.
Cover the parts boxes made of plastics with aluminum foil.
Ground the soldering iron.
Put a conductive mat on the work table.
Do not touch the legs of IC or LSI with the fingers directly.

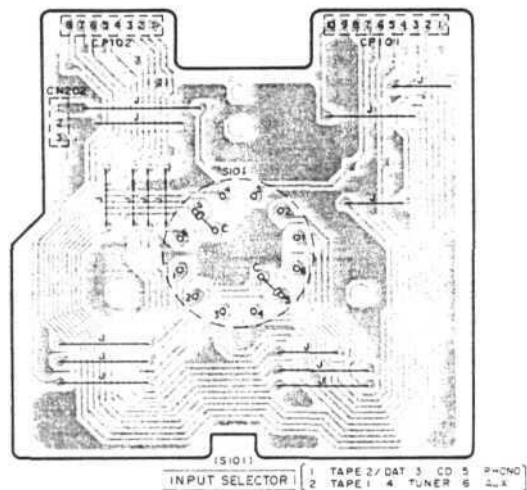


PHONO SELECTOR

(S103)



C INPUT SELECTOR P.C.B.



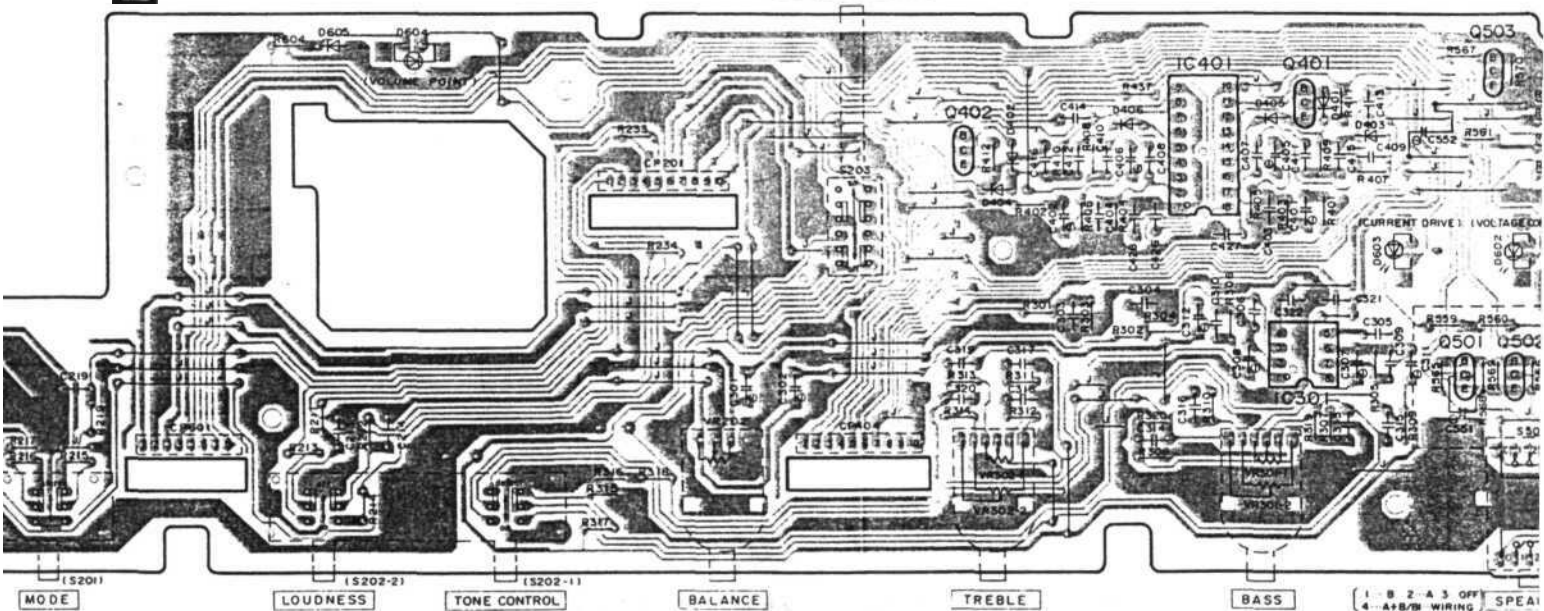
INPUT SELECTOR (S101) 1 TAPE 2/DAT 3 CD 5 PHONO
2 TAPE 1 4 TUNER 6 AUX

(S102) REC SELECTOR

(S102) REC SELECTOR 1 TAPE 2/DAT 3 CD 5 PHONO
2 TAPE 1 4 TUNER 6 AUX

E OPERATION PC.B.

POWER AMP DIRECT



MODE

LOUDNESS

TONE CONTROL

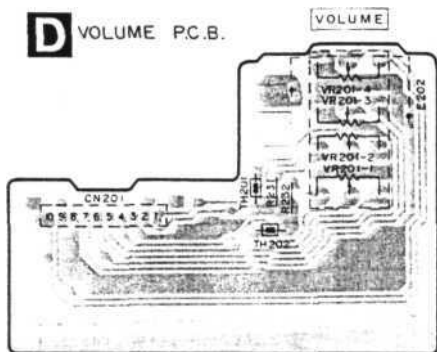
BALANCE

TREBLE

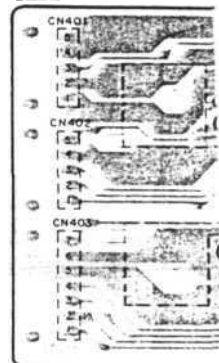
BASS

(1-B 2-A 3 OFF) SPEAKERS

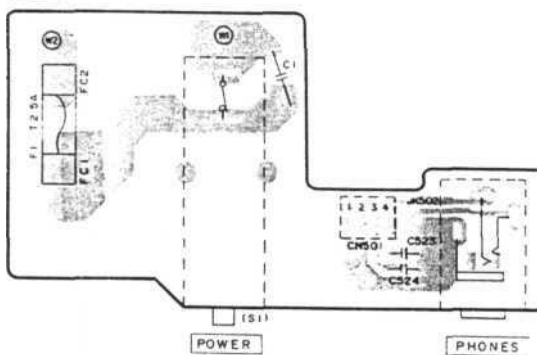
D VOLUME P.C.B.



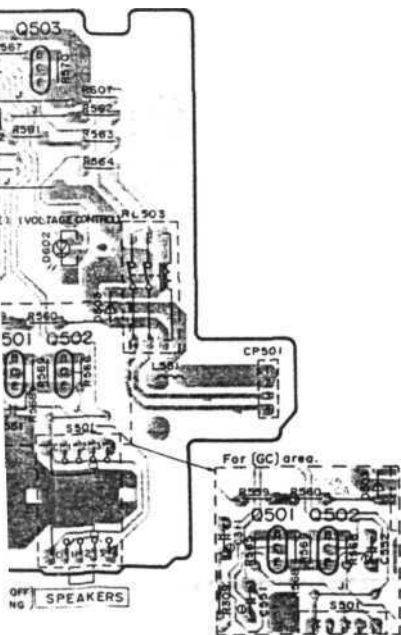
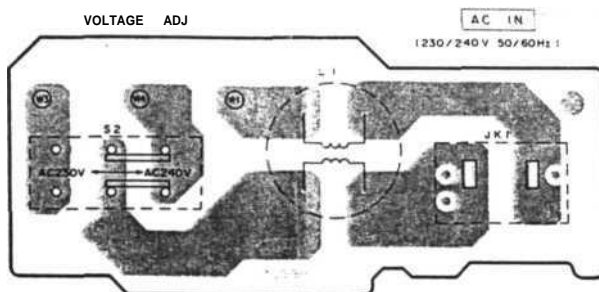
F V-AMP P.C.B.



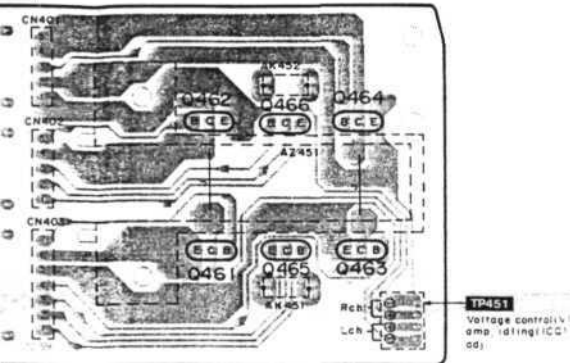
G POWER SWITCH P.C.B. For[E.EB, EG.GN] areas.



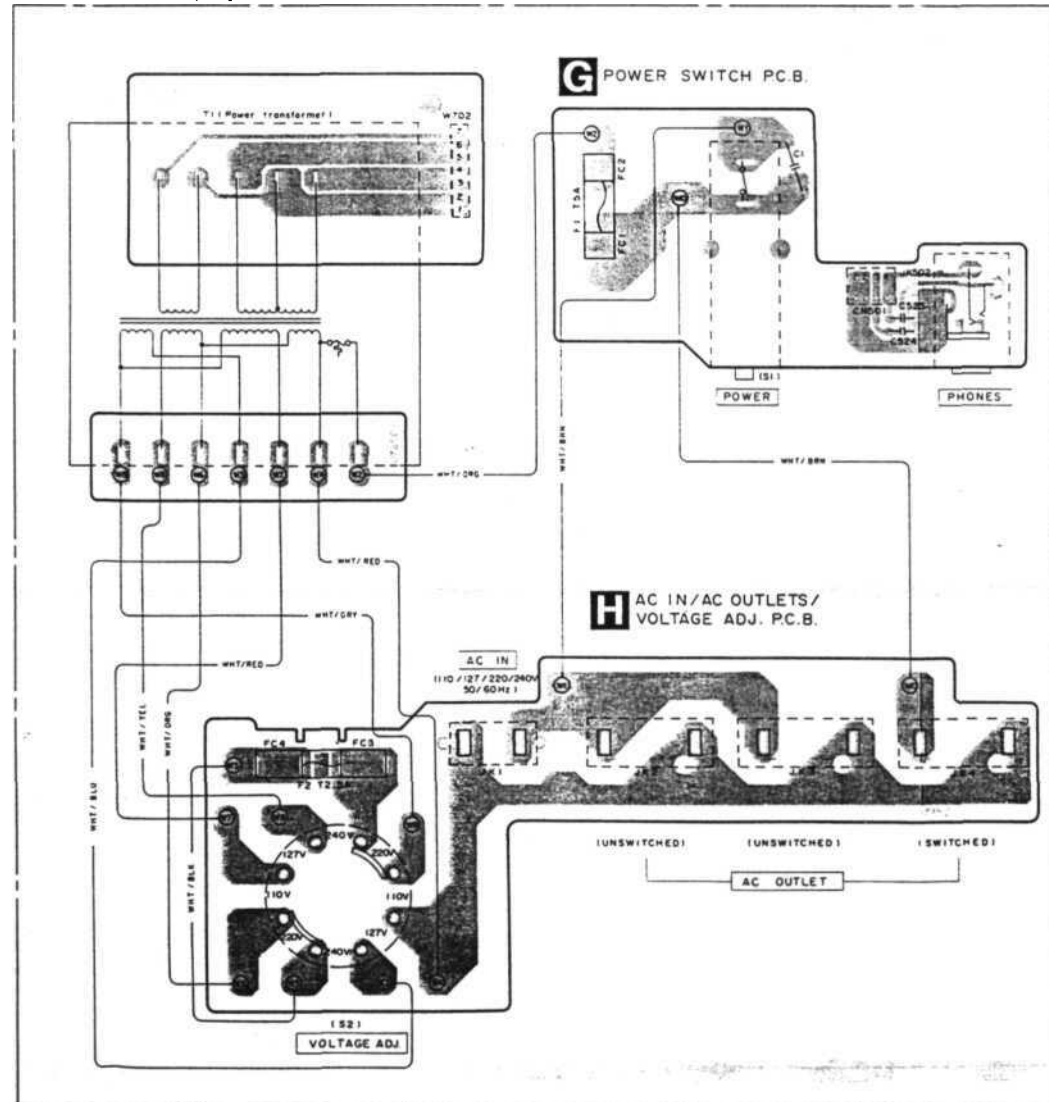
H AC IN/VOLTAGE ADJ. P.C. B. For[E, EB, EG.GN]areas



F V-AMP P.C.B.

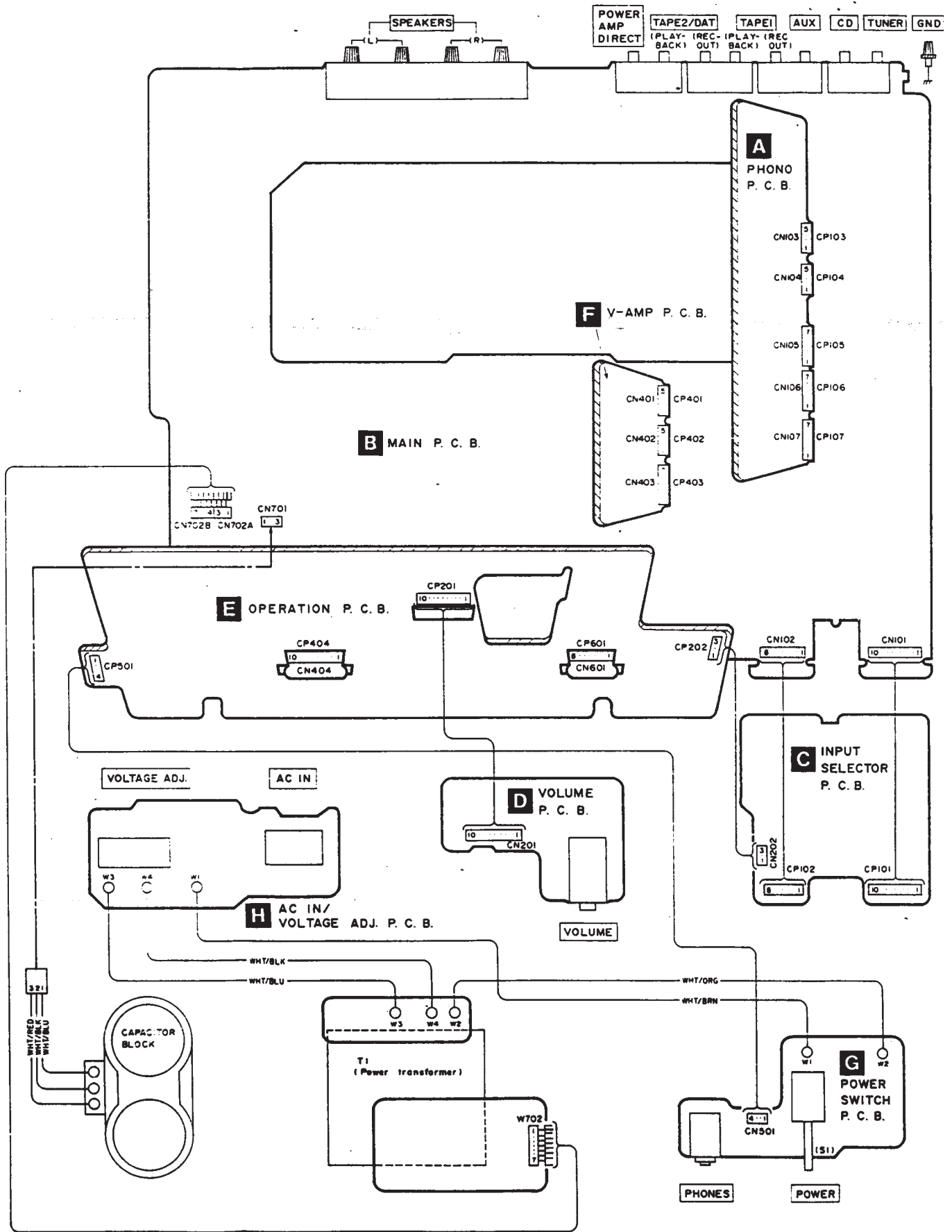


Power Source For (GC) area.

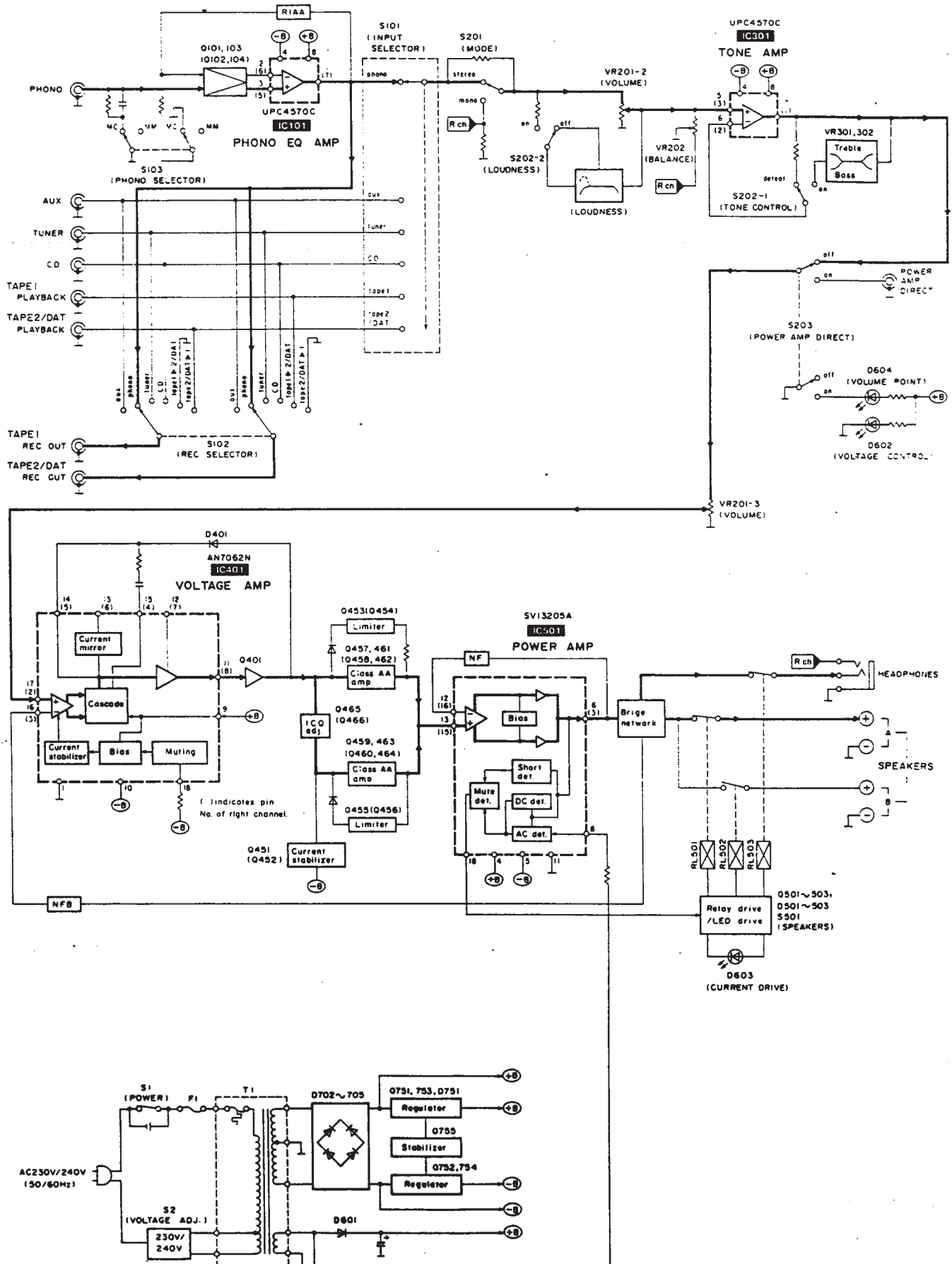


<table border="1"> <tr> <td>UPC4570C</td> <td>8 Pin</td> </tr> <tr> <td>AN7062N</td> <td>18 Pin</td> </tr> </table>	UPC4570C	8 Pin	AN7062N	18 Pin	<p>SVI3205A</p>
UPC4570C	8 Pin				
AN7062N	18 Pin				
	<p>2SA992EFPTA 2SA1123RSTTA 2SC1685RST 2SC2631RSTTA</p>				
<p>2SA1309AQSTA 2SC3311AQSTA</p>	<p>2SK170BLTPE2 2SK301PQTA</p>				
<p>2SA1535AQRS 2SC3944AQRS</p>	<p>2SB1357DEFTA 2SD2037DEFTA</p>				
	<p>1SR35200TB 1A165TA 1A167ATA 1A29WATA</p>				
<p>MA4033MTA MA4036MTA</p>	<p>1A4160MTA 1A4180MTA</p>				
<p>P300DLF</p>	<p>1N014304P 1N018304P</p>				

WIRING CONNECTION DIAGRAM



BLOCK DIAGRAM



■ MEASUREMENTS AND ADJUSTMENTS

● ADJUSTMENT

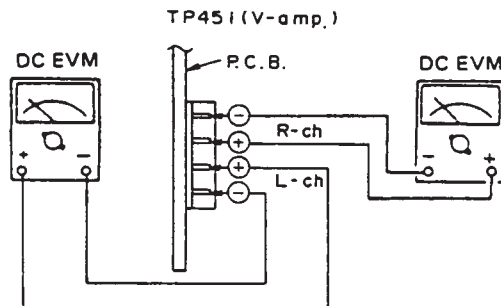
Control positions and equipment used.

- Volume knob ∞ (Minimum)
- Speaker selector off

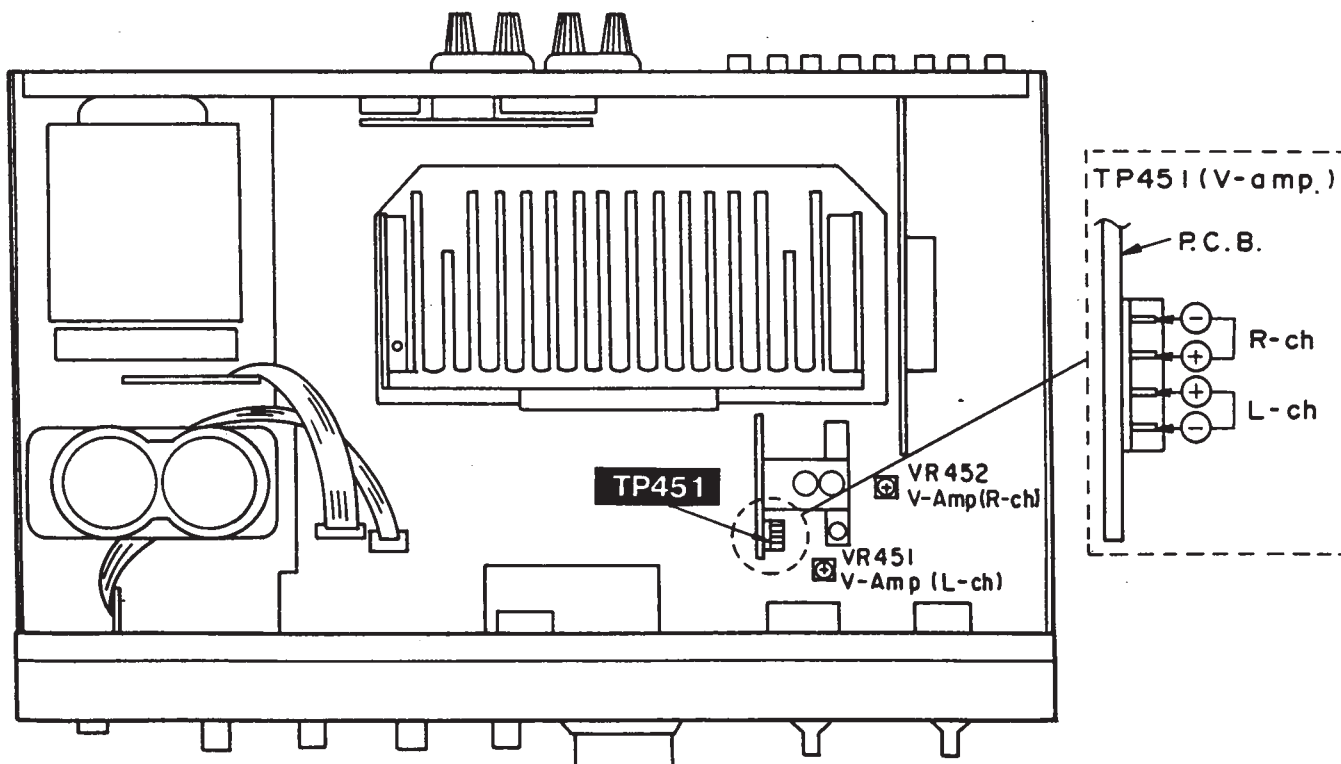
● AC and DC electronic voltmeter (EVM)

(1) VOLTAGE CONTROL (V) AMP. IDLING (ICQ) ADJUSTMENT

1. Test equipment connection is shown in figure. (Connect the DC EVM on both channels.)
 2. Completely turn the (V) amp. adjusting volumes (VR451, VR452) counter-clockwise.
 3. Turn ON the set when it is cold, and about 5 ~ 7 sec. later, adjust VR451 and VR452 so that the voltage is 25mV.
- Also, check that the voltage is 25 ~ 30mV (standard: 27mV) after lapse of 10 ~ 15 minutes. (Below 50mV after lapse of 20min.).



● ADJUSTMENT POINTS



REPLACEMENT PARTS LIST

Notes : * Important safety notice:

Components identified by A mark have special characteristics important for safety. When replacing any of these components use only manufacturer's specified parts.

* The parenthesized indications in the Remarks columns specify the areas. (Refer to the cover page for area.)
Parts without these indications can be used for all areas.

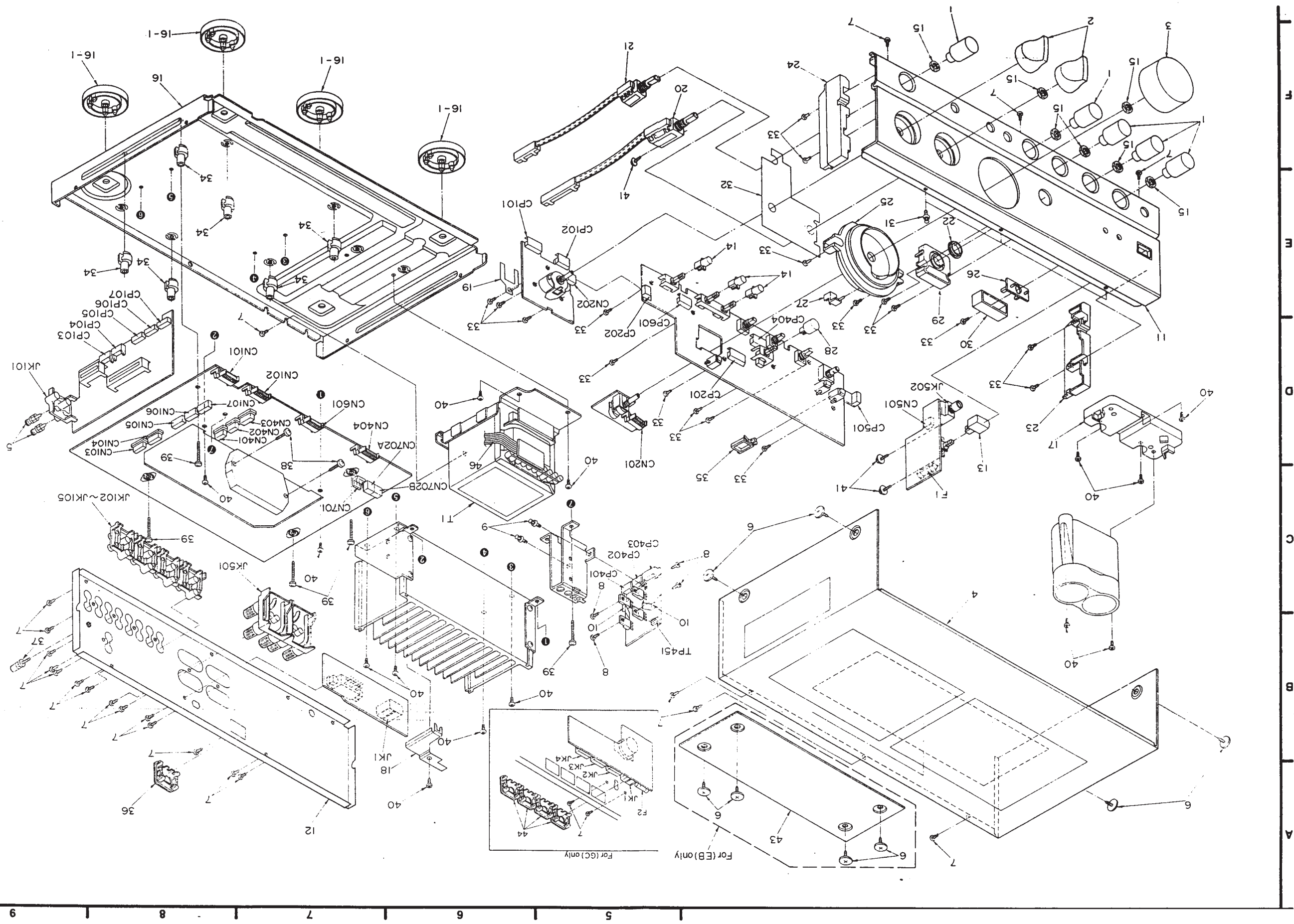
Ref.No	PartNo.	Part Name & Description	Remarks	Ref.No	Part No.	Part Name & Description	Remarks
				VR202	EVJ02QFA2G15	V. R. BALANCE	
		INTEGRATED CIRCUIT(S)		VR301, 302	EVJYA1FA2C15	V. R. BASS/TREBLE CONT.	
				VR451. 452	EVNDXAA00B52	V. R. ICQ ADJ. (V-AMP.)	
IC101	UPC4570C	.C.PHONO/EQ.AMP.					
IC301	UPC4570C	. C, TONE AMP.				THERMISTOR(S)	
IC401	AN7062N	. C, VOLTAGE AMP.					
IC501	SVI3205A	. C, POWER AMP.		TH201, 202	RTD2ZHL104T	THERMISTOR	
		TRANSISTOR(S)				COIL(S)	
Q101-104	2SK170BLTPE2	TRANSISTOR		LI	SLQZ650MH49	COIL	Δ(E.EB,EG,GN)
101, 402	2SA1123RSπA	TRANSISTOR		L101. 102	SLM1Z33	COIL	
Q451.452	2SC2631RSπA	TRANSISTOR		L501-504	SLQY18G-10	COIL	
Q453, 454	2SC3311A-Q	TRANSISTOR		L551	ELEPK2R2MA	COIL	
Q455, 456	2SA1309A-R	TRANSISTOR					
Q457. 458	2SC2631RSπA	TRANSISTOR				TRANSFORMER(S)	
Q459, 460	2SA1123RSπA	TRANSISTOR					
Q461, 462	2SC3944QRS	TRANSISTOR		TI	RTP1N5E011	POWER TRANSFORMER	Δ(E.EB,EG,GN)
Q463, 464	2SA1535AQRS	TRANSISTOR		TI	RTP1N5E012	POWER TRANSFORMER	Δ(GC)
Q465, 466	2SC1685RST	TRANSISTOR					
Q501-503	2SA992EFPTA	TRANSISTOR				FUSE(S)	
Q751	2SD2037DEFTA	TRANSISTOR					
Q752	2SB1357DEFTA	TRANSISTOR		F1	XBA2C25TBO	FUSE. 250V T2. 5A	Δ(E.EB,EG,GN)
Q753, 754	2SK301PQTA	TRANSISTOR		F1	XBA2C50TBO	FUSE. 250V T5A	Δ(GC)
Q755	2SA1309A-R	TRANSISTOR		F2	XBA2C25TBO	FUSE, 250V T2. 5A	Δ(GC)
		DIODE (S)				SWITCH(ES)	
D101. 102	MA165	DIODE		S1	ESB8249V	SW. POWER	Δ
D401. 402	MA167	DIODE		S2	ESD26200A	SW, VOLTAGE SELECTOR	Δ(F,EB,EG,GN)
D403, 404	MA4036MTA	DIODE		S2	ESE37263	SW, VOLTAGE SaECTOR	Δ(GC)
D405, 406	MA165	DIODE		S101	RSR6B002-J	SW, INPUT SELECTOR	
D451	MA29WA	DIODE		S102	RSS6D001	SW, REC SELECTOR	
M53-456	MA165	DIODE		S103	RSS2D006-A	SW. PHONO SELECTOR	
D501-503	MA165	DIODE		S201	ESB68107	SW.MODE	
D503	MA4160M	DIODE		S202	ESB68132	SW. LOUDNESS/TONE	
D504	MA4160M	DIODE		S203	RSP2DX8-A	SW. POWER AMP DIRECT	
D601	1SR35200TB	DIODE	Δ	S501	RSR4B004-A	SW, SPFKIKER SELECTOR	
D602	LN014304P	L.E.D.					
0603,604	LN018304P	L.L.D.					
D605	MA4033TA	DIODE				CONNECTOR(S)	
D702-705	P300DLF	DIODE	A				
D751	MA4180-M	DIODE		CN101	RJU003K010U	SOCKET(10P)	
				CN102	RJU003K008M1	SOCKET(8P)	
		VARIABLE RESISTOR(S)		CN103. 104	RJT060B05	CONNECTOR(5P)	
				CN105-107	RJU057W007	SOCKETS)	
VR201	RRV16J02A	V. R. VOLUME CONTROL		CN201	RJU003K010M1	SOCKET (10P)	

Ref.No.	Part No.	Part Name & Description	Remarks	Ref.No.	Part No.	Part Name & Description	Remarks
CN202	SJS50382JQH	SOCKET (3P)				FUSE HOLDER (S)	
CN401, 402	RJT060B05	CONNECTOR (5P)		FC1.2	EYF52BC	FUSE HOLDER	
CN403	RJT060B07	CONNECTOR (7P)		FC3.4	SJT388	FUSE HOLDER	(GC)
CN404	RJU003K010M1	SOCKET (10P)					
CN501	RJU057T004	SOCKET (4P)				RELAY (S)	
CN601	RJU003K008M1	SOCKET (8P)					
CN701	RJP1A3303	CONNECTOR (3P)		RL501, 502	SSY134	RELAY	
CN702A	RJS1A1703	SOCKET(3P)		RL503	RSY0009-0	RELAY	
CN702B	RJS1A1704	SOCKET (4P)					
CP101	RJT003KD10M1	CONNECTOR (10P)				JACK(S)	
CP102	RJT003KD08M1	CONNECTOR (8P)					
CP103, 104	RJU060G05T	SOCKET (5P)		JK1	SJS9231-1B	AC INLET	Δ(E,EB,EG.GC)
CP105-107	RJT057W007-1	CONNECTOR (7P)		JK1	SJS9234B	AC INLET	Δ(GN)
CP201	RJT003KD10M1	CONNECTOR (10P)		JK2-4	SJS9233B	AC OUTLET	Δ(GC)
CP202	SJT30345JQ	CONNECTOR (3P)		JK101	SJF3057-9N	PHONO JACK	
CP401, 402	RJU060G05T	SOCKET (5P)		JK102	SJF3069N	TUNER/CD JACK	
CP403	RJU060G07T	SOCKET(7P)		JK103	SJF3069N	AUX/TAPE1 REC. OUT JACK	
CP404	RJT003K010M1	CONNECTOR (10P)		JK104	SJF3069N	TAPE1/PBAAPE2 REC. OUT JACK	
CP501	RJTO571004-1	CONNECTOR (4P)		JK105	SJF3069N	TAPE2/PB/POWER AMP. JACK	
CP601	RJT003KD08M1	CONNECTOR (8P)		JK501	RJH4801-1	SPEAKER TERMINAL	
				JK502	QJA0455ZC-A	HEADPHONES JACK	

Notes : * Capacity value are in microfarads (uF) unless specified otherwise, P=Pico-farads (pF) F=Farads(F)
 * Resistance values are in ohms, unless specified otherwise. 1K=1.000(OHM), 1M=1.000k(OHM)

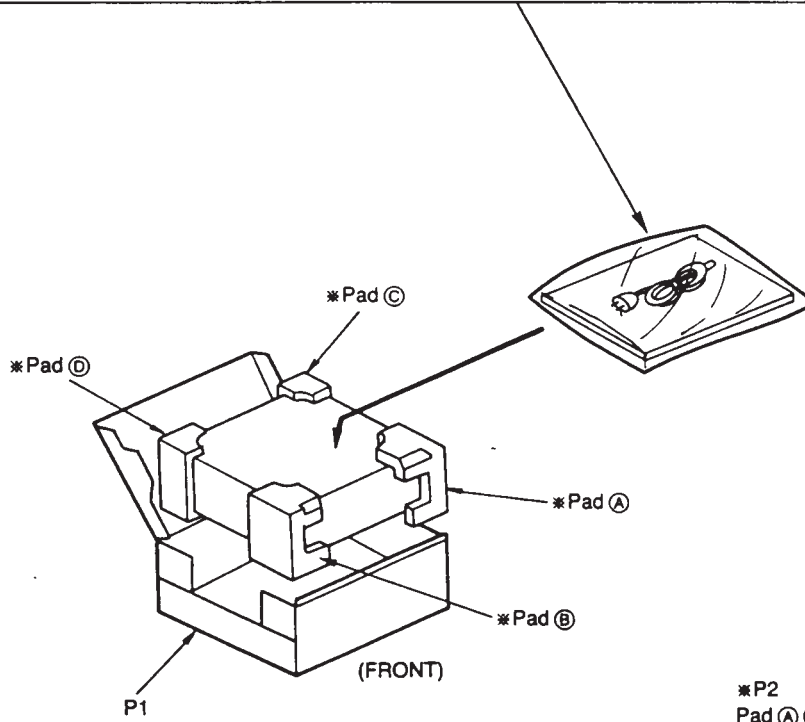
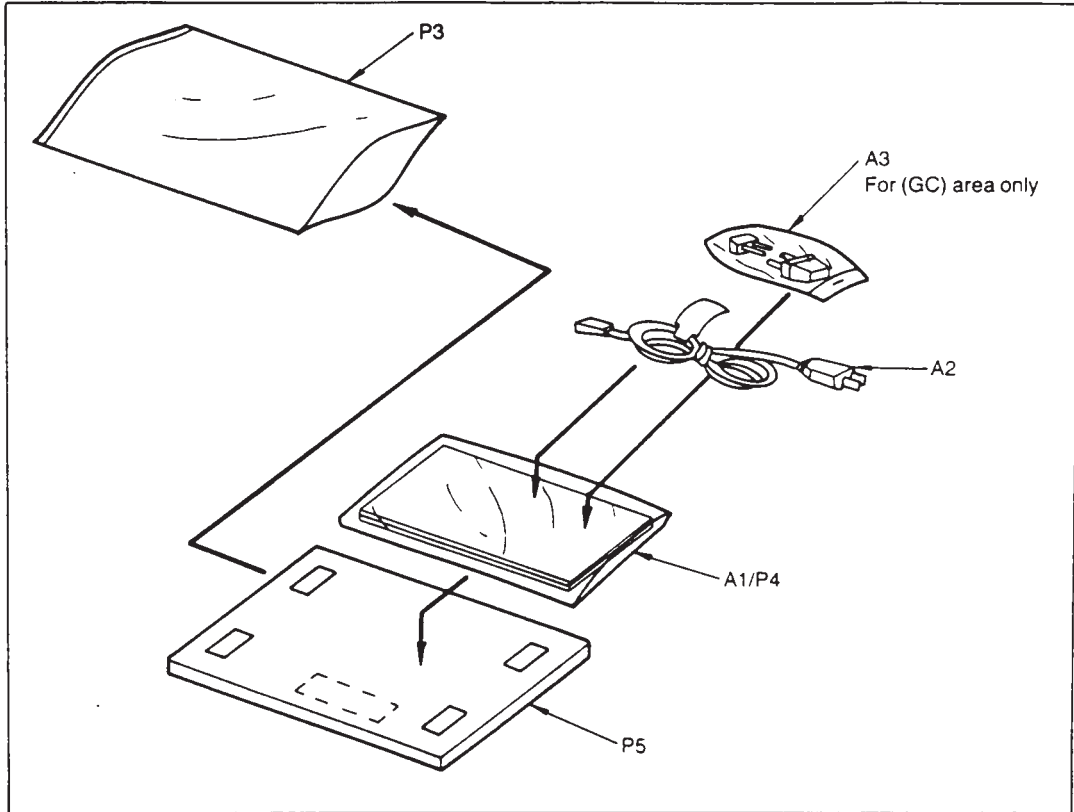
Ref.No	Part No.	Values & Remarks	Ref.No.	Part Na	Values & Remarks	Ref.No.	Part No.	Values & Remarks
			R305, 306	ERDS2TJ224T	1/4W 220K	R513-516	ERDFS2VJ100T	1/4W 10
		RESISTORS	R307, 308	ERDS2TJ392T	1/4W 3.9K	R517, 518	ERDFS2VJ1R0T	1/4W 1
			R309, 310	ERDS2TJ223	1/4* 22K	R519, 520	ERDFS2VJ100T	1/4W 10
R101-104	ERDS2TJ102	1/4W 1K	R311,312	ERDS2TJ102	1/4W 1K	R521,522Δ	ERDS1FVJ100T	1/2W 10
R105, 106	ERDS2TJ274	1/4W 270K	R313, 314	ERDS2TJ562	1/4W 5.6K	R527	ERDS2TJ223	1/4W 22K
R107, 108	ERDS2TJ221	1/4W 220	R315,316	ERDAS3G392T	1/4W 3.9K	R528	ERDS2TJ824	1/4W 820K
R109, 110	ERDS2TJ220T	1/4W 22	R317, 318	ERDAS3G223T	1/4W 22K	R529	ERDS2TJ124T	1/4W 120K
R111-116	ERDAS3G332T	1/4W 3.3K	R319, 320	ERDS2TJ183T	1/4W 18K	R530Δ	ERDS1FVJ682T	1/2W 6.8K
R117, 118	ERDS2TJ151	1/4W 150	R401, 402	ERDS2TJ122	1/4W 1.2K	R531, 532	ERDS1FVJ100T	1/2W 10
R119,120	ERDS2TJ100	1/4W 10	R403,404	ERDS2TJ823T	1/4W 82K	R533, 534	ERDS2TJ182	1/4W 1.8K
R121,122	ERDS2TJ101	1/4W 100	R405, 406	ERDAS3G272T	1/4W 2.7K	R555-558	ERG1SJ561E	1W 560
R123,124	ERDS2TJ151	1/4W 150	R407, 408	ERDAS3G823T	1/4W 82K	R559, 560	ERG1SJ102E	1W 1K
R125,126	ERDS2TJ682T	1/4W 6.8K	R409,410	ERDS2TJ561	1/4W 560	R561, 562	ERG1SJ151E	
R127,128	ERDS2TJ823T	1/4W 82K	R411,412	ERDFS2VJ470T	1/4W 47	R563, 564	ERG1SJ181E	1W 180
R129, 130	ERDS2TJ334	1/4W 330K	R437	ERDS2TJ473	1/4W 47K	R565-570	ERDS2TJ223	1/4W 22K
R13L, 132	ERDS2TJ561	1/4W 560	R451,452	ERDFS2VJ182T	1/4W 1,8K	R601 Δ	ERDS1FJ120	1/2W 12
R201-210	ERDAS3G102T	1/4W 1K	R455,456	ERDFS2VJ391T	1/4W 390	R604	ERDS2TJ471	1/4W 470
R211, 212	ERMS3G223T	1/4W 22K	R457	ERDS2TJ823T	1/4W 82K	R607	ERDS2TJ391	1/4W 390
R213, 214	ERDS2TJ183T	1/4W 18K	R459,460	ERDFS2VJ101T	1/4* 100	R707,708	ERDFS2VJ688T	1/4W 6.8
R215, 216	ERDS2TJ332	1/4W 3.3K	R461-464	ERDS2TJ223	1/4W 22K	R709, 710	ERDFS2VJ470T	1/4W 47
R217	ERDS2TJ824	1/4W 820K	R465-468	ERDFS2VJ101T	1/4W 100	R751, 752	ERDFS2VJ221T	1/4W 220
R219,220	ERDAS3G272T	1/4W 2.7K	R469,470	ERDFS2VJ821T	1/4W 820	R753, 754	ERDS2TJ183T	1/4W 18K
R221-224	ERDS2TJ471	1/4W 470	R471-474	ERDFS2VJ2R2T	1/4W 2,2	R755	ERDS2TJ102	1/4W 1K
R225,226	ERDAS3G102T	1/4W 1K	R501,502	ERDS2TJ362T	1/4W 3.6K			
R23L232	ERDAS3G472T	1/4W 4.7K	R503,504	ERDFS2VJ121T	1/4W 120			CAPACITORS
R233,234	ERDAS3G124T	1/4* 120K	R50S,506	ERDS2TJ392T	1/4W 3,9K			
R301,302	ERDAS3G561	1/4W 560	R507, 508	ERDFS2VJ121T	1/4W 120	C001, 002	ECED1HT682P	50V 6800U
R303,304	ERDS2TJ823T	1/4W 82K	R509-512	ERF2EXKR10V	2W 0.1	C1 Δ	ECKWNS103ZVS	500V 0.01U

Ref.No.	Part No.	Values & Remarks	Ref. No.	Part No	Values & Remarks			
C101, 102	ECBT1H120J5	50V 12P	C525. 526	ECQB1H272JF3	50V 2700P			
C103, 104	ECBT1H102KB5	50V 1000P	C531. 532	ECBT1C332KR5	16V 3300P			
C105, 106	ECBT1H820KB5	50V 82P	C551.552	ECEA1JU010B	63V 1U			
C107, 108	ECA0JM222B	6.3V 2200U	C601	ECA1CM221B	16V 220U			
C109, 110	ECKW1H222KB5	50V 2200P	C705. 706	ECA1JPXS221B	63V 220U			
C111, 112	ECQB1H122KF3	50V 1200P	C707-709	ECA1JAP220B	63V 22U			
C113, 114	ECQB1H103KF3	50V 0.01U	C711	ECQE2104KF3	100V 0.1U			
C115, 116	ECQV1H393JZ3	50V 0.039U	C712	ECKR1H103ZF5	50V 0.01U			
C117, 118	UES1H010MITA	50V 1U	C751-756	ECA1HPXS4R7B	50V 4.7U			
C119, 120	ECQB1H472KF3	50V 4700P						
C121, 122	ECKR1H103ZF5	50V 0.01U						
C123, 124	ECBT1H270J5	50V 27P						
C125, 126	ECBT1H181KB5	50V 180P						
C201-210	ECCR1H101K5	50V 100P						
C213, 214	ECQV1H563JZ3	50V 0, 056U						
C219, 220	ECCR1H271K5	50V 270P						
C221-224	ECBT1H181KB5	50V 180P						
C225, 226	ECCR1H101K5	50V 100P						
C301, 302	ECA1HPXS3R3B	50V 3. 3U						
C303, 304	ECCR1H101K5	50V 100 P						
C305, 306	ECBT1H820KB5	50V 82P						
C307, 308	ECA1HPXS4R7B	50V 4. 7U						
C309, 310	ECBT1H390J5	50V 39P						
C311, 312	ECA1CPXS100B	16V 10U						
C313, 314	ECQV1H823JZ	50V 0. 082U						
C315, 316	ECQB1H153KF3	50V 0. 015U						
C317, 318	ECQB1H183KF3	50V 0. 018U						
C319, 320	ECQB1H182KF3	50V 1800P						
C321, 322	ECBT1E223ZF	25V 0. 022U						
C401, 402	ECA1HPXS3R3B	50V 3. 3U						
C403, 404	ECCR1H271K5	50V 270P						
C405, 406	ECA1CPXS220B	16V 22U						
C407, 408	ECBT1H820KB5	50V 82P						
C409, 410	ECBT1H100J5	50V 10P						
C411, 412	ECBA1H681KB5	50V 680P						
C413, 414	ECCV2H070D	500V 7P						
C415, 416	ECQB1H102KF3	50V 1000P						
C426	ECBT1H102KB5	50V 1000P						
C427	ECBT1E223ZF	25V 0. 022U						
C428	ECKR1H103ZE5	50V 0.01U						
C451, 452	ECKR1H33.3ZF5	50V 0. 033U						
C453-456	ECCV2H680K	500V 68P						
C457-460	ECEA1HKA3R3B	50V 3. 3U						
C501-504	ECA0JPXS101B	6. 3V 100U						
C505, 506	ECQV1H473JZ3	50V 0.047U						
C507	ECEA0JK/U01B	6. 3V 100U						
C508	ECA1HM70B	50V 47U						
C509	ECEA1HN100SB	50V 10U						
C511, 512	ECBT1H180J5	50V 18P						
C513-518	ECQV1H473JZ3	50V0.047U						
C519-522	ECQB1H153KF3	50V0.015U						
C523.524	ECBT1H102KB5	50V 1000P						



Ref.No.	Part No.	Part Name & Description	Remarks	Ref.No.	Part No.	Part Name & Description	Remarks
				45	XYN3+C6FZ	SCREW	(GC)
		CABINET PARTS LIST		46	RWJ3907130QQ	CABLE ASS'Y(W702)	
	RGW0124-K	KNOB, TONE				PACKING MATERIALS	
	RGW0126-K	KNOB, SELECTOR					
	RGW0127-K1	KNOB, VOLUME		P1	RPG0975	PACKING CASE	
	RKM0036A-K	CABINET	(E, EG, GC, GN)	P2	RPN0539	PAD	
	RKM0179-K	CABINET	(EB)	P3	XZB24X34C04	PROTECTION COVER	
	SJPA11-1	SHORT PIN		P4	SPB1061	[PROTECTION COVER (MANUAL)]	
	SNE2 129-1	SCREW		P5	RPQ0164	ACCESSORY BOX	
	XTBS3+8JFZ1	SCREW					
	XTW3+8T	SCREW				ACCESSORIES	
	SHR415	CLAMPER					
10	SUS227	SPRING (AK451. 452)		AI	RQF1226	INSTRUCTIONS MANUAL ASS'Y	(E)
11	RFKGVX500EK	FRONT PANEL ASS'Y		AI	RQF1227	INSTRUCTIONS MANUAL ASS'Y	(EB)
12	RGR0129A-D1	REAR PANEL	(E)	AI	RQF1228	INSTRUCTIONS MANUAL ASS'Y	(EG)
12	RGR0129A-F1	REAR PANEL	(EG)	AI	RQF1230	INSTRUCTIONS MANUAL ASS'Y	(GN)
12	RGR0129A-E1	REAR PANEL	(EB, GN)	AI	RQF1229	INSTRUCTIONS MANUAL ASS'Y	(GC)
12	RGR0129B-A1	REAR PANEL	(GC)	AI-1	RFKSUVX500EK	INSTRUCTIONS MANUAL	(E)
13	RGU0030	BUTTON, POWER		AI-1	RQTU61-B	INSTRUCTIONS MANUAL	(EB)
14	RGU0509-K	BUTTON, MODE		AI-1	RQT1162-D	INSTRUCTIONS MANUAL	(EG)
15	RHN90001	NUT		AI-1	RQT1159-G	INSTRUCTIONS MANUAL	(GC, GN)
16	RFKJUVX500EK	BOTTOM BOARD ASS'Y		AI-2	RQA0013	WARRANTY CARD	
16-1	RKA0009-1	FOOT		AI-3	RQCB0169	SERVICE CENTER LIST	
17	RMN0143	HOLDER		A2	SFDAC05E03	AC POWER SUPPLY CORD	Δ(E, EG)
18	RMNOH9	HOLDER		A2	SJA193	AC POWER SUPPLY CORD	Δ(EB)
19	RMQ0259	ANGLE		A2	SJA173	AC POWER SUPPLY CORD	Δ(GN)
20	RSQ0022	REMOTE SWITCH(REC.)		A2	RJA0004 AC	POWER SUPPLY CORD	Δ(GC)
21	RSQ0023	REMOTE SWITCH (PHONO)		A3	SJP9215	AC PLUG ADAPTOR	Δ(GC)
22	RGKD394-A	RING					
23	RGKD412-K	SIDE ORNAMENT(L)					
24	RGKD413-K	SIDE ORNAMENT(R)					
25	RGK0414-K	VOLUME ORNAMENT					
26	RGL0134-C	ORNAMENT					
27	RGL0136-C	ORNAMENT					
28	RGU0611-K	BUTTON, POWER AMP. DIRECT					
29	RMR0460-K	HOLDER					
30	RMR0461-K	HOLDER					
31	RMR0502	HOLDER					
32	RSC0245	SHIELD PLATE					
33	XTBS26+8J	SCREW					
34	SHE187-3	SPACER					
35	SHR9814	CLAMPER					
36	SJS9231A	AC INLET COVER	(E, EB, EG, GC)				
36	SJS9234A	AC INLET COVER	(GN)				
37	SNE2123	GND SCREW					
38	XTB3+16JFZ	SCREW					
39	XTB3+20JFZ	SCREW					
40	XTB3+8JFZ	SCREW					
41	XTIS3+8T	SCREW					
43	RGKD415-K	UPPER PLATE	(EB)				
44	SJS9233A	AC OUTLET COVER	(GC)				

■ PACKAGING



*P2
Pad Ⓐ Ⓑ Ⓒ Ⓓ Ass'y: RPN0539